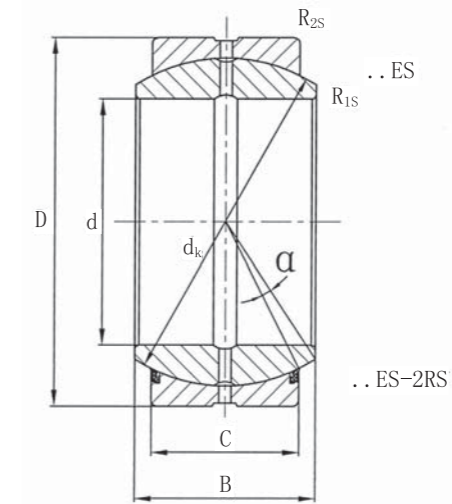
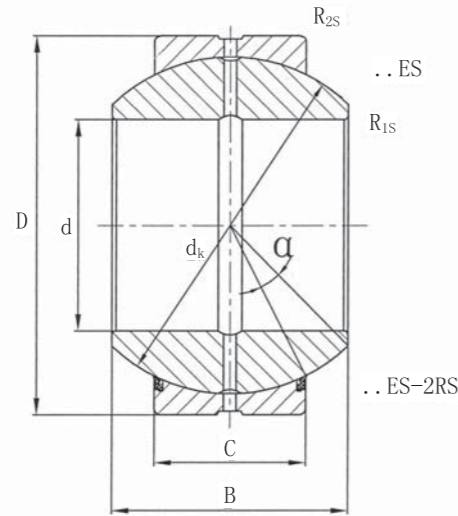


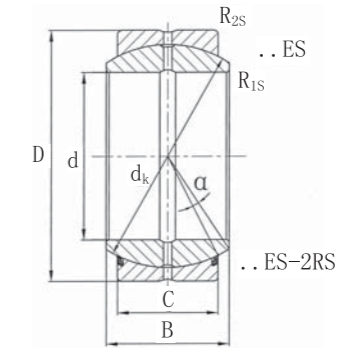
Number	Dimensions mm								Load ratings KN		Weight ≈ kg
	d	D	B	C	dk	R <sub>1s</sub> min	R <sub>2s</sub> min	α° ≈	C	Co	
GE15UK-2RS	15	26	12	9	22	0.3	0.3	8	25	50	0.027
GE17UK-2RS	17	30	14	10	25	0.3	0.3	10	32	64	0.041
GE20UK-2RS	20	35	16	12	29	0.3	0.3	9	45	90	0.066
GE25UK-2RS	25	42	20	16	35.5	0.6	0.6	7	85	170	0.119
GE30UK-2RS	30	47	22	18	40.7	0.6	0.6	6	110	220	0.153
GE35UK-2RS	35	55	25	20	47	0.6	1.0	6	140	280	0.233
GE40UK-2RS	40	62	28	22	53	0.6	1.0	7	175	350	0.306
GE45UK-2RS	45	68	32	25	60	0.6	1.0	7	225	450	0.427
GE50UK-2RS	50	75	35	28	66	0.6	1.0	6	275	550	0.546
GE55UK-2RS	55	85	40	32	74	0.6	1.0	7	355	710	0.939
GE60UK-2RS	60	90	44	36	80	1.0	1.0	6	430	860	1.04
GE70UK-2RS	70	105	49	40	92	1.0	1.0	6	550	1100	1.55
GE80UK-2RS	80	120	55	45	105	1.0	1.0	6	705	1410	2.31
GE90UK-2RS	90	130	60	50	115	1.0	1.0	5	860	1720	2.75
GE100UK-2RS	100	150	70	55	130	1.0	1.0	7	1070	2140	4.45
GE110UK-2RS	110	160	70	55	140	1.0	1.0	6	1150	2300	4.82
GE120UK-2RS	120	180	85	70	160	1.0	1.0	6	1680	3360	8.05
GE140UK-2RS	140	210	90	70	180	1.0	1.0	7	1890	3780	11.02
GE160UK-2RS	160	230	105	80	200	1.0	1.0	8	2400	4800	14.01
GE180UK-2RS	180	260	105	80	225	1.1	1.1	6	2700	5400	18.65
GE200UK-2RS	200	290	130	100	250	1.1	1.1	7	3750	7500	28.03



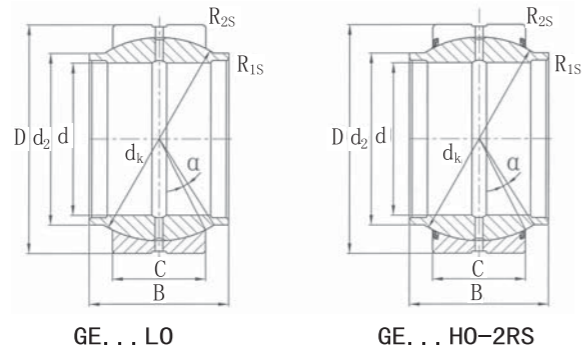
Number	Dimensions mm								Load ratings KN		Weight ≈ kg	
	d	D	B	C	dk	R <sub>1s</sub> min	R <sub>2s</sub> min	α° ≈	C	Co		
GE6E	6	14	6	4	10	0.3	0.3	13	3.40	17.0	0.004	
GE8E	8	16	8	5	13	0.3	0.3	15	5.50	27.5	0.007	
GE10E	10	19	9	6	16	0.3	0.3	12	8.15	40.5	0.011	
GE12E	12	22	10	7	18	0.3	0.3	10	10.8	54.0	0.016	
GE15ES	GE15ES-2RS	15	26	12	9	22	0.3	0.3	8	17.0	85.0	0.025
GE17ES	GE17ES-2RS	17	30	14	10	25	0.3	0.3	10	21.2	106	0.041
GE20ES	GE20ES-2RS	20	35	16	12	29	0.3	0.3	9	30.0	146	0.061
GE25ES	GE25ES-2RS	25	42	20	16	35.5	0.6	0.6	7	48.0	240	0.110
GE30ES	GE30ES-2RS	30	47	22	18	40.7	0.6	0.6	6	62.0	310	0.140
GE35ES	GE35ES-2RS	35	55	25	20	47	0.6	1.0	6	80.0	400	0.220
GE40ES	GE40ES-2RS	40	62	28	22	53	0.6	1.0	7	100	500	0.300
GE45ES	GE45ES-2RS	45	68	32	25	60	0.6	1.0	7	127	640	0.400
GE50ES	GE50ES-2RS	50	75	35	28	66	0.6	1.0	6	156	780	0.540
GE55ES	GE55ES-2RS	55	85	40	32	74	0.6	1.0	7	200	1000	0.864
GE60ES	GE60ES-2RS	60	90	44	36	80	1.0	1.0	6	245	1220	1.000
GE70ES	GE70ES-2RS	70	105	49	40	92	1.0	1.0	6	315	1560	1.500
GE80ES	GE80ES-2RS	80	120	55	45	105	1.0	1.0	6	400	2000	2.200
GE90ES	GE90ES-2RS	90	130	60	50	115	1.0	1.0	5	490	2450	2.700
GE100ES	GE100ES-2RS	100	150	70	55	130	1.0	1.0	7	610	3050	4.300
GE119ES	GE110ES-2RS	110	160	70	55	140	1.0	1.0	6	655	3250	4.700
GE120ES	GE120ES-2RS	120	180	85	70	160	1.0	1.0	6	950	4750	8.000
GE140ES	GE140ES-2RS	140	210	90	70	180	1.0	1.0	7	1080	5400	11.00
GE160ES	GE160ES-2RS	160	230	105	80	200	1.0	1.0	8	1360	6800	14.00
GE180ES	GE180ES-2RS	180	260	105	80	225	1.1	1.1	6	1530	7650	18.65
GE200ES	GE200ES-2RS	200	290	130	100	250	1.1	1.1	7	2120	10600	28.00



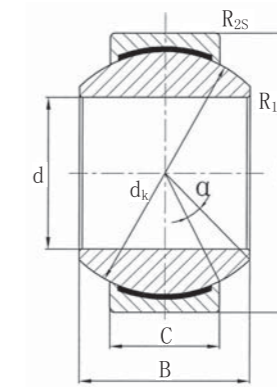
Number	Dimensions mm									Load ratings KN		Weight ≈ kg
	d	D	B	C	dk	R <sub>1s</sub> min	R <sub>2s</sub> min	α°	C	Co		
GEG6E	6	16	9	5	13	0.3	0.3	21	5.50	27.5	0.008	
GEG8E	8	19	11	6	16	0.3	0.3	21	8.15	40.5	0.014	
GEG10E	10	22	12	7	18	0.3	0.3	18	10.8	54.0	0.020	
GEG12E	12	26	15	9	22	0.3	0.3	18	17.0	85.0	0.034	
GEG15ES	GEG15ES-2RS	15	30	16	10	25	0.3	0.3	16	21.2	106	0.046
GEG17ES	GEG17ES-2RS	17	35	20	12	29	0.3	0.3	19	30.0	146	0.078
GEG20ES	GEG20ES-2RS	20	42	25	16	35.5	0.6	0.6	17	48.0	240	0.15
GEG25ES	GEG25ES-2RS	25	47	28	18	40.7	0.6	0.6	17	62.0	310	0.19
GEG30ES	GEG30ES-2RS	30	55	32	20	47	0.6	1.0	17	80.0	400	0.29
GEG35ES	GEG35ES-2RS	35	62	35	22	53	0.6	1.0	16	100	500	0.39
GEG40ES	GEG40ES-2RS	40	68	40	25	60	0.6	1.0	17	127	640	0.52
GEG45ES	GEG45ES-2RS	45	75	43	28	66	0.6	1.0	15	156	780	0.68
GEG50ES	GEG50ES-2RS	50	90	56	36	80	0.6	1.0	17	245	1220	1.14
GEG60ES	GEG60ES-2RS	60	105	63	40	92	1.0	1.0	17	315	1560	2.05
GEG70ES	GEG70ES-2RS	70	120	70	45	105	1.0	1.0	16	400	2000	3.01
GEG80ES	GEG80ES-2RS	80	130	75	50	115	1.0	1.0	14	490	2450	3.64
GEG90ES	GEG90ES-2RS	90	150	85	55	130	1.0	1.0	15	610	3050	5.22
GEG100ES	GEG100ES-2RS	100	160	85	55	140	1.0	1.0	14	655	3250	6.05
GEG110ES	GEG110ES-2RS	110	180	100	70	160	1.0	1.0	12	950	4750	9.68
GEG120ES	GEG120ES-2RS	120	210	115	70	180	1.0	1.0	16	1070	5350	14.01
GEG140ES	GEG140ES-2RS	140	230	130	80	200	1.0	1.0	16	1360	6800	19.01
GEG160ES	GEG160ES-2RS	160	260	135	80	225	1.1	1.1	16	1530	7650	24.70
GEG180ES	GEG180ES-2RS	180	290	155	100	250	1.1	1.1	14	2120	10600	35.90
GEG200ES	GEG200ES-2RS	200	320	165	100	275	1.1	1.1	15	2320	11600	45.28



Number	Dimensions mm/inch									Load ratings KN		Weight ≈ kg
	d	D	B	C	dk	R <sub>1s</sub> min	R <sub>2s</sub> min	α°	C	Co		
GEZ12ES	12.700 0.500	22.225 0.875	11.100 0.437	9.525 0.375	18.000 0.707	0.15	0.6	6	13	41	0.022	
GEZ15ES	15.875 0.625	26.988 1.0625	13.894 0.547	11.913 0.469	23.000 0.904	0.15	0.6	6	22	65	0.036	
GEZ19ES	GEZ19ES-2RS 19.050 0.750	31.750 1.250	16.662 0.656	14.275 0.562	27.500 1.081	0.3	0.6	6	31	95	0.053	
GEZ22ES	GEZ22ES-2RS 22.225 0.875	36.513 1.4375	19.431 0.756	16.662 0.656	32.000 1.258	0.3	0.6	6	42	127	0.085	
GEZ25ES	GEZ25ES-2RS 25.400 1.000	41.275 1.625	22.225 0.875	19.050 0.750	36.500 1.437	0.3	0.6	6	56	166	0.121	
GEZ31ES	GEZ31ES-2RS 31.750 1.250	50.800 2.000	27.762 1.093	23.800 0.937	45.500 1.788	0.6	0.6	6	86	260	0.232	
GEZ34ES	GEZ34ES-2RS 34.925 1.375	55.563 2.1875	30.150 1.187	26.187 1.031	49.000 1.926	0.6	1.0	6	102	310	0.351	
GEZ48ES	GEZ48ES-2RS 38.100 1.500	61.913 2.4375	33.325 1.312	28.575 1.125	54.700 2.154	0.6	1.0	6	125	375	0.422	
GEZ44ES	GEZ44ES-2RS 44.450 1.750	71.438 2.8125	38.887 1.531	33.325 1.312	63.900 2.511	0.6	1.0	6	170	510	0.641	
GEZ50ES	GEZ50ES-2RS 50.800 2.000	80.963 3.1875	44.450 1.750	38.100 1.500	73.000 2.869	0.6	1.0	6	224	670	0.932	
GEZ57ES	GEZ57ES-2RS 57.150 2.250	90.488 3.5625	50.013 1.969	42.850 1.687	82.000 3.223	0.6	1.0	6	280	850	1.33	
GEZ63ES	GEZ63ES-2RS 63.500 2.500	100.013 3.9375	55.550 2.187	47.625 1.875	92.000 3.616	1.0	1.0	6	355	1060	1.85	
GEZ69ES	GEZ69ES-2RS 69.850 2.750	111.125 4.375	61.112 2.406	52.375 2.062	100.000 3.937	1.0	1.0	6	415	1250	2.42	
GEZ76ES	GEZ76ES-2RS 76.200 3.000	120.650 4.750	66.675 2.625	57.150 2.250	109.500 4.303	1.0	1.0	6	500	1500	3.10	
GEZ82ES	GEZ82ES-2RS 82.550 3.250	130.175 5.125	72.238 2.844	61.900 2.437	119.000 4.685	1.0	1.0	6	585	1760	3.82	
GEZ88ES	GEZ88ES-2RS 88.90 3.500	139.700 5.500	77.775 3.062	66.675 2.625	128.000 5.040	1.0	1.0	6	680	2040	4.79	
GEZ95ES	GEZ95ES-2RS 95.250 3.750	149.225 5.875	83.337 3.281	71.425 2.812	137.000 5.393	1.0	1.0	6	780	2360	5.80	
GEZ101ES	GEZ101ES-2RS 101.600 4.000	158.750 6.250	88.900 3.500	76.200 3.000	146.000 5.748	1.0	1.0	6	900	2650	7.00	
GEZ107ES	GEZ107ES-2RS 107.950 4.250	168.275 6.625	94.463 3.719	80.950 3.187	155.000 6.102	1.0	1.0	6	1000	3000	8.40	
GEZ114ES	GEZ114ES-2RS 114.300 4.500	177.800 7.000	100.013 3.937	85.725 3.375	164.500 6.476	1.0	1.0	6	1120	3400	9.80	
GEZ120ES	GEZ120ES-2RS 120.650 4.750	187.325 7.375	105.562 4.156	90.475 3.562	173.500 6.830	1.0	1.0	6	1250	3750	11.50	
GEZ127ES	GEZ127ES-2RS 127.000 5.000	196.850 7.750	111.125 4.375	95.250 3.750	183.000 7.204	1.0	1.0	6	1400	4150	13.50	
GEZ152ES	GEZ152ES-2RS 152.400 6.000	222.250 8.750	120.65 4.750	104.775 4.125	207.000 8.150	1.0	1.0	5	1730	5200	17.50	

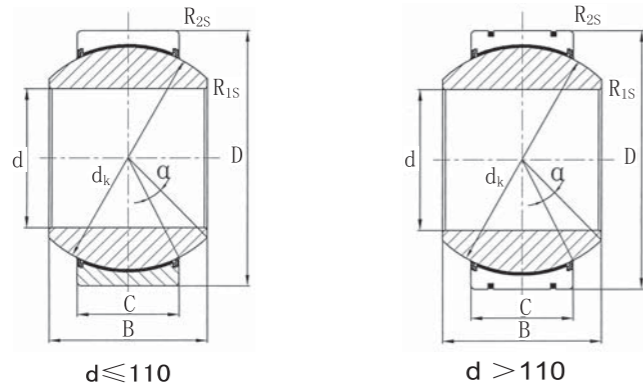


Number	Dimensions mm									Load ratings KN		Weight ≈ kg
	d	C	D	B	d2 ≈	dk	R1s min	R2s min	α° ≈	C	Co	
GE12LO	12	7	22	12	15.5	18	0.3	0.3	4	10	53	0.022
GE15LO	15	9	26	15	18.5	22	0.3	0.3	5	16	84	0.031
GE16LO	16	9	28	16	20	23	0.3	0.3	4	17	85	0.035
GE17LO	17	10	30	17	21	25	0.3	0.3	7	21	106	0.044
GE20LO	20	12	35	20	25	29	0.3	0.3	4	30	146	0.071
GE25LO	25	16	42	25	30.5	35.5	0.6	0.6	4	48	240	0.131
GE30LO	30	18	47	30	34	40.7	0.6	0.6	4	62	310	0.167
GE32LO	32	18	52	32	37	43	0.6	1.0	4	65	328	0.182
GE35LO	35	20	55	35	40	47	0.6	1.0	4	79	399	0.253
GE40LO	40	22	62	40	46	53	0.6	1.0	4	99	495	0.338
GE45LO	45	25	68	45	52	60	0.6	1.0	4	127	637	0.481
GE50LO	50	28	75	50	57	66	0.6	1.0	4	156	780	0.558
GE60LO	60	36	90	60	68	80	1.0	1.0	4	245	1220	1.15
GE63LO	63	36	95	63	71.5	83	1.0	1.0	4	253	1260	1.25
GE70LO	70	40	105	70	78	92	1.0	1.0	4	313	1560	1.71
GE80LO	80	45	120	80	91	105	1.0	1.0	4	400	2000	2.39
GE90LO	90	50	130	90	99	115	1.0	1.0	4	488	2440	3.21
GE100LO	100	55	150	100	113	130	1.0	1.0	4	607	3030	4.79
GE110LO	110	55	160	110	124	140	1.0	1.0	4	654	3270	5.78
GE125LO	125	70	180	125	138	160	1.0	1.0	4	950	4750	8.49
GE160LO	160	80	230	160	177	200	1.0	1.0	4	1360	6800	16.5
GE200LO	200	100	290	200	221	250	1.1	1.1	4	2120	10600	32.1
GE20HO-2RS	20	12	35	24	24	29	0.3	0.3	6	30	146	0.073
GE25HO-2RS	25	16	42	29	29	35.5	0.3	0.6	4	48	240	0.13
GE30HO-2RS	30	18	47	30	34	40.7	0.3	0.6	4	62	310	0.17
GE35HO-2RS	35	20	55	35	40	47	0.6	1.0	4	79	399	0.25
GE40HO-2RS	40	22	62	38	45	53	0.6	1.0	4	99	495	0.35
GE45HO-2RS	45	25	68	40	52	60	0.6	1.0	4	127	637	0.49
GE50HO-2RS	50	28	75	43	57	66	0.6	1.0	4	156	780	0.6
GE60HO-2RS	60	36	90	54	68	80	0.6	1.0	3	245	1220	1.15
GE70HO-2RS	70	40	105	65	78	92	0.6	1.0	4	313	1560	1.65
GE80HO-2RS	80	45	120	74	90	105	0.6	1.0	4	400	2000	2.5

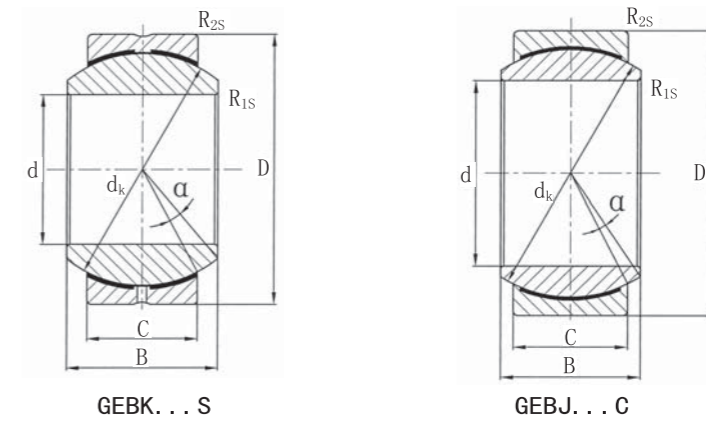


Number	Dimensions mm								Load ratings KN		Weight ≈ kg
	d	D	B	C	dk	R1s min	R2s min	α° ≈	C	Co	
GE4UK	4	12	5	3	8	0.3	0.3	16	2.1	5.4	0.003
GE5UK	5	14	6	4	10	0.3	0.3	13	3.6	9.1	0.005
GE6UK	6	14	6	4	10	0.3	0.3	13	3.6	9.1	0.004
GE8UK	8	16	8	5	13	0.3	0.3	15	5.8	14	0.008
GE10UK	10	19	9	6	16	0.3	0.3	12	8.6	21	0.011
GE12UK	12	22	10	7	18	0.3	0.3	10	11	28	0.015
GE15UK	15	26	12	9	22	0.3	0.3	8	18	45	0.027
GE17UK	17	30	14	10	25	0.3	0.3	10	22	56	0.041
GE20UK	20	35	16	12	29	0.3	0.3	9	31	78	0.066
GE25UK	25	42	20	16	35.5	0.6	0.6	7	51	127	0.119
GE30UK	30	47	22	18	40.7	0.6	0.6	6	65	166	0.163
GE35UK	35	55	25	20	47	0.6	1.0	6	84	211	0.228
GE40UK	40	62	28	22	53	0.6	1.0	7	104	262	0.318
GE45UK	45	68	32	25	60	0.6	1.0	7	135	337	0.421
GE50UK	50	75	35	28	66	0.6	1.0	6	166	415	0.562
GE4FW	4	14	7	4	10	0.3	0.3	20	3.6	9.1	0.005
GE5FW	5	16	9	5	13	0.3	0.3	21	5.8	14	0.006
GE6FW	6	16	9	5	13	0.3	0.3	21	5.8	14	0.008
GE8FW	8	19	11	6	16	0.3	0.3	21	8.6	21	0.014
GE10FW	10	22	12	7	18	0.3	0.3	18	11	28	0.021
GE12FW	12	26	15	9	22	0.3	0.3	18	18	45	0.033
GE15FW	15	30	16	10	25	0.3	0.3	16	22	56	0.049
GE17FW	17	35	20	12	29	0.3	0.3	19	31	78	0.083
GE20FW	20	42	25	16	35.5	0.3	0.3	17	51	127	0.153
GE25FW	25	47	28	18	40.7	0.6	0.6	17	65	166	0.203
GE30FW	30	55	32	20	47	0.6	0.6	17	83	212	0.304
GE35FW	35	62	35	22	53	0.6	1.0	16	104	262	0.408
GE40FW	40	68	40	25	60	0.6	1.0	17	135	337	0.542
GE45FW	45	75	43	28	66	0.6	1.0	15	166	415	0.713

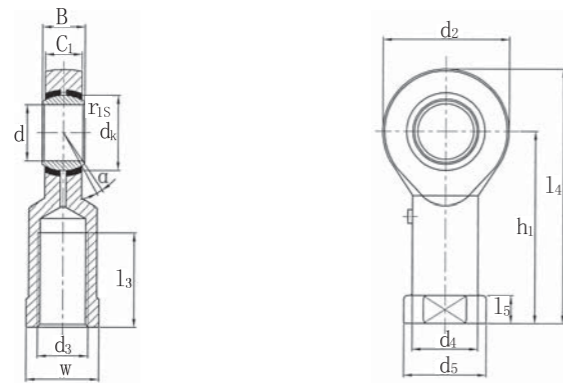




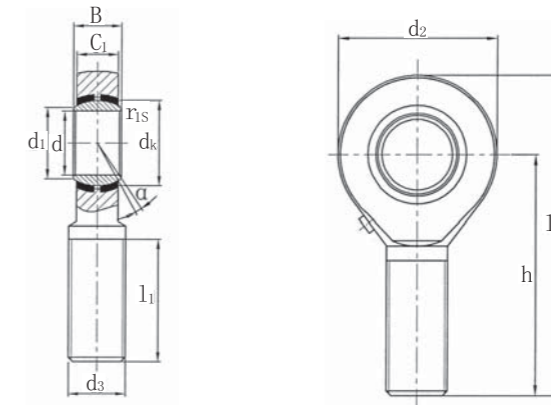
Number	Dimensions mm								Load ratings KN		Weight ≈ kg
	d	D	B	C	dk	R <sub>1s</sub> min	R <sub>2s</sub> min	α°	C	Co	
GE15FW-2RS	15	30	16	10	25	0.3	0.3	16	32	64	0.046
GE17FW-2RS	17	35	20	12	29	0.3	0.3	19	45	90	0.078
GE20FW-2RS	20	42	25	16	35.5	0.3	0.6	17	85	170	0.15
GE25FW-2RS	25	47	28	18	40.7	0.6	0.6	17	110	220	0.19
GE30FW-2RS	30	55	32	20	47	0.6	1.0	17	140	280	0.29
GE35FW-2RS	35	62	35	22	53	0.6	1.0	16	175	350	0.39
GE40FW-2RS	40	68	40	25	60	0.6	1.0	17	225	450	0.52
GE45FW-2RS	45	75	43	28	66	0.6	1.0	15	275	550	0.68
GE50FW-2RS	50	90	56	36	80	0.6	1.0	17	430	860	1.40
GE60FW-2RS	60	105	63	40	92	1.0	1.0	17	550	1100	2.05
GE70FW-2RS	70	120	70	45	105	1.0	1.0	16	705	1410	3.01
GE80FW-2RS	80	130	75	50	115	1.0	1.0	14	860	1720	3.64
GE90FW-2RS	90	150	85	55	130	1.0	1.0	15	1070	2140	5.22
GE100FW-2RS	100	160	85	55	140	1.0	1.0	14	1150	2300	6.05
GE110FW-2RS	110	180	100	70	160	1.0	1.0	12	1680	3360	9.68
GE120FW-2RS	120	210	115	70	180	1.0	1.0	16	1890	3780	14.01
GE140FW-2RS	140	230	130	80	200	1.0	1.0	16	2400	4800	19.01
GE160FW-2RS	160	260	135	80	225	1.1	1.1	16	2700	5400	24.70
GE180FW-2RS	180	290	155	100	250	1.1	1.1	14	3750	7500	35.90
GE200FW-2RS	200	320	165	100	275	1.1	1.1	15	4120	8240	45.28



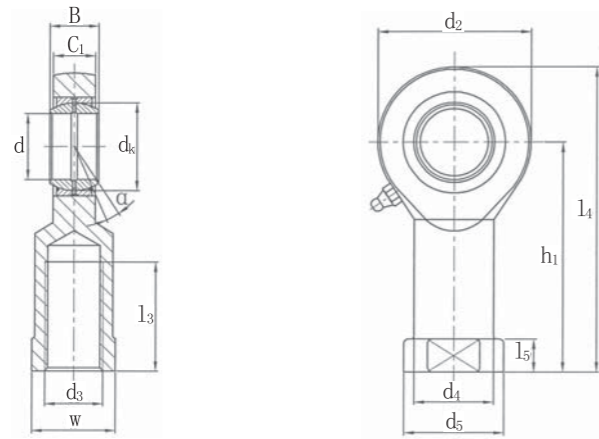
Number	Dimensions mm								Load ratings KN		Weight ≈ kg
	d	D	B	C	dk	R <sub>1s</sub> min	R <sub>2s</sub> min	α°	C	Co	
GEBK5S	5	16	8	6	11.11	0.3	0.3	13	3.3	7.8	0.009
GEBK6S	6	18	9	6.75	12.70	0.3	0.3	13	4.3	9.8	0.013
GEBK8S	8	22	12	9	15.88	0.3	0.3	14	6.8	16	0.024
GEBK10S	10	26	14	10.5	19.05	0.3	0.6	14	10	23	0.039
GEBK12S	12	30	16	12	22.23	0.3	0.6	13	13	31	0.058
GEBK14S	14	34	19	13.5	25.40	0.3	0.6	16	17	40	0.084
GEBK16S	16	38	21	15	28.58	0.3	0.6	15	21	50	0.111
GEBK18S	18	42	23	16.5	31.75	0.6	0.6	15	26	61	0.16
GEBK20S	20	46	25	18	34.93	0.6	0.6	15	31	73	0.21
GEBK22S	22	50	28	20	38.10	0.6	0.6	15	38	88	0.26
GEBK25S	25	56	31	22	42.86	0.6	0.6	15	47	110	0.39
GEBK28S	28	62	35	25	47.63	0.6	0.6	15	59	138	0.53
GEBK30S	30	66	37	25	50.80	0.6	0.6	17	63	148	0.61
GEBJ5C	5	13	8	6	11.11	0.3	0.3	13	6	15	0.007
GEBJ6C	6	16	9	6.75	12.70	0.3	0.3	13	7.7	19	0.010
GEBJ8C	8	19	12	9	15.88	0.3	0.3	13	13	32	0.016
GEBJ10C	10	22	14	10.5	19.05	0.3	0.6	13	18	45	0.031
GEBJ12C	12	26	16	12	22.23	0.3	0.6	13	24	60	0.055
GEBJ14C	14	28	19	13.5	25.40	0.3	0.6	15	31	77	0.078
GEBJ16C	16	32	21	15	28.58	0.3	0.6	15	38	95	0.095
GEBJ18C	18	35	23	16.5	31.75	0.6	0.6	15	47	117	0.14
GEBJ20C	20	40	25	18	34.93	0.6	0.6	15	56	141	0.18
GEBJ22C	22	42	28	20	38.10	0.6	0.6	15	68	171	0.21
GEBJ25C	25	47	31	22	42.86	0.6	0.6	15	84	212	0.35
GEBJ30C	30	55	37	25	50.80	0.6	0.6	15	113	283	0.56



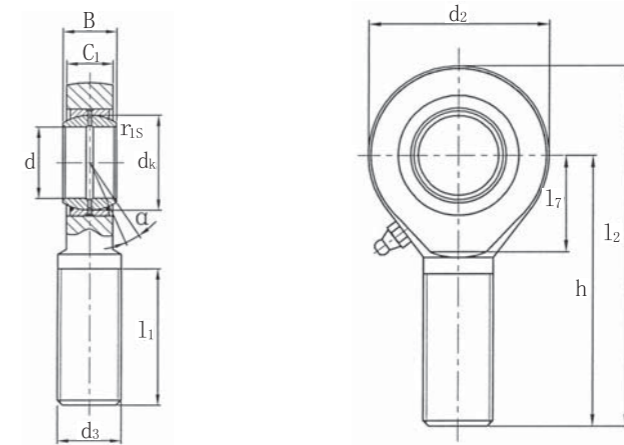
Number	Dimensions mm														Load ratings KN		Weight ≈ kg
	d	d <sub>3</sub>	B	C <sub>1</sub> max	W	l <sub>3</sub> min	d <sub>2</sub> max	l <sub>4</sub> max	h <sub>1</sub>	l <sub>5</sub> max	d <sub>4</sub> max	d <sub>5</sub> max	d <sub>k</sub>	α°	C	Co	
PHS5	5	M5	8	6	9	14	18	36	27	4	8.5	11	11.11	13	3.25	4.1	0.016
PHS6	6	M6	9	6.75	11	14	20	40	30	5	10	13	12.70	13	4.3	5.3	0.022
PHS8	8	M8	12	9	14	17	24	48	36	5	12.5	16	15.88	14	6.8	8.5	0.047
PHS10	10	M10	14	10.5	17	21	26	56	43	6.5	15	19	19.05	13	10	11	0.077
PHS12	12	M12	16	12	19	24	30	65	50	6.5	17.5	22	22.23	13	13	14	0.1
PHS14	14	M14	19	13.5	22	27	34	74	57	8	20	26	25.40	16	17	20	0.16
PHS16	16	M16	21	15	24	33	40	84	64	8	22	28	28.58	15	21	25	0.22
PHS18	18	M18X1.5	23	16.5	27	36	44	93	71	10	25	31	31.75	15	26	30	0.32
PHS20	20	M20X1.5	25	18	30	40	48	101	77	10	27.5	35	34.93	14	31	35	0.42
PHS22	22	M22X1.5	28	20	32	43	54	111	84	12	30	38	38.10	15	38	43	0.54
PHS25	25	M24X2	31	22	36	48	60	124	94	12	33.5	42	42.86	15	47	65	0.73
PHS28	28	M27X2	35	24	41	53	66	136	103	14	37	46	47.63	15	59	77	0.98
PHS30	30	M30X2	37	25	46	56	70	145	110	15	40	50	50.80	17	63	86	1.1



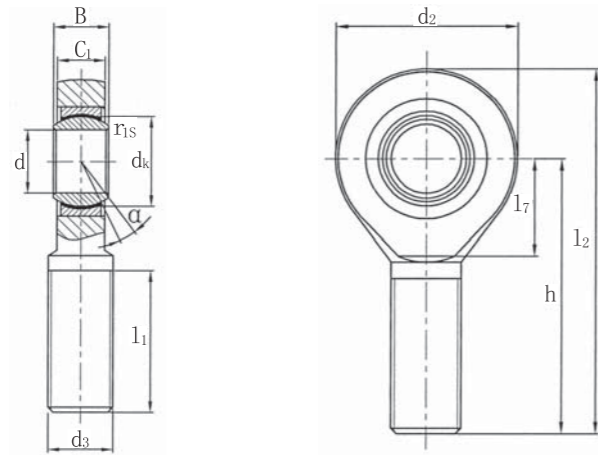
Number	Dimensions mm												Load ratings KN		Weight ≈ kg
	d	d <sub>3</sub>	B	C <sub>1</sub> max	l <sub>1</sub> min	d <sub>2</sub> max	h	l <sub>2</sub> max	d <sub>k</sub>	r <sub>1s</sub> min	d <sub>1</sub>	α°	C	Co	
POS5	5	M5	8	6	20	18	33	42	11.11	0.3	7.7	13	3.25	3.9	0.013
POS6	6	M6	9	6.75	23	20	36	46	12.70	0.3	8.9	13	4.3	5.3	0.02
POS8	8	M8	12	9	25	24	42	54	15.88	0.3	10.3	14	6.8	8.5	0.03
POS10	10	M10	14	10.5	30	26	48	61	19.05	0.3	12.9	13	10	11	0.055
POS12	12	M12	16	12	34	30	54	69	22.23	0.3	15.4	13	13	14	0.085
POS14	14	M14	19	13.5	37	34	60	77	25.40	0.3	16.8	16	17	20	0.14
POS16	16	M16	21	15	41	40	66	86	28.58	0.3	19.3	15	21	25	0.21
POS18	18	M18X1.5	23	16.5	45	44	72	94	31.75	0.6	21.8	15	26	30	0.28
POS20	20	M20X1.5	25	18	48	48	78	102	34.93	0.6	24.3	14	31	35	0.38
POS22	22	M22X1.5	28	20	52	54	84	111	38.10	0.6	25.8	15	38	43	0.48
POS25	25	M24X2	31	22	58	60	94	124	42.86	0.6	29.5	15	47	65	0.64
POS28	28	M27X2	35	24	63	66	103	136	47.63	0.6	33.7	15	59	77	0.96
POS30	30	M30X2	37	25	67	70	110	145	50.80	0.6	34.8	17	63	86	1.1



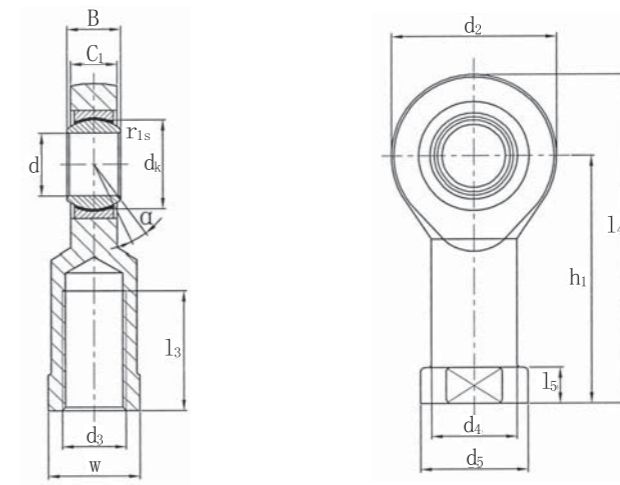
Number	Dimensions mm														Load ratings KN		Weight ≈ kg
	d	d <sub>3</sub>	B	C <sub>1</sub> max	l <sub>3</sub> min	W	d <sub>2</sub> max	h <sub>1</sub>	l <sub>4</sub> max	l <sub>5</sub> max	d <sub>4</sub> max	d <sub>5</sub> max	d <sub>k</sub>	α°	C	Co	
SI6E	6	M6	6	4.4	11	11	21	30	40.5	5	10	13	10	13	3.4	8.15	0.021
SI8E	8	M8	8	6	15	14	24	36	48	5	12.5	16	13	15	5.5	12.9	0.039
SI10E	10	M10	9	7	20	17	29	43	47.5	6.5	15	19	16	12	8.15	17.6	0.061
SI12E	12	M12	10	8	23	19	34	50	67	6.5	17.5	22	18	10	10.8	24.5	0.096
SI15ES	15	M14	12	10	30	22	40	61	81	8	21	26	22	8	17	36	0.18
SI17ES	17	M16	14	11	34	27	46	67	90	10	24	30	25	10	21.2	45	0.22
SI20ES	20	M20X1.5	16	13	40	32	53	77	103.5	10	27.5	35	29	9	30	60	0.35
SI25ES	25	M24X2	20	17	48	36	64	94	126	12	33.5	42	35.5	7	48	83	0.64
SI30ES	30	M30X2	22	19	56	41	73	110	146.5	15	40	50	40.7	6	62	110	0.93
SI35ES	35	M36X3	25	21	60	50	82	125	166	15	47	58	47	6	80	146	1.3
SI40ES	40	M39X3	28	23	65	55	92	142	188	18	52	65	53	7	100	180	2.0
SI45ES	45	M42X3	32	27	65	60	102	145	196	20	58	70	60	7	127	240	2.5
SI50ES	50	M45X3	35	30	68	65	112	160	216	20	62	75	66	6	156	290	3.5
SI60ES	60	M52X3	44	38	70	75	135	175	242.5	20	70	88	80	6	245	450	5.5
SI70ES	70	M56X4	49	42	80	85	160	200	280	20	80	98	92	6	315	610	8.6
SI80ES	80	M64X4	55	47	85	100	180	230	320	25	95	110	105	6	400	750	12



Number	Dimensions mm													Load ratings KN		Weight ≈ kg
	d	d <sub>3</sub>	B	C <sub>1</sub> max	l <sub>1</sub> min	d <sub>2</sub> max	l <sub>7</sub> min	h	l <sub>2</sub> max	d <sub>k</sub>	r <sub>1s</sub> min	α°	C	Co		
SA6E	6	M6	6	4.4	18	21	12	36	46.5	10	0.3	13	3.4	8.15	0.017	
SA8E	8	M8	8	6	22	24	14	42	54	13	0.3	15	5.5	12.9	0.029	
SA10E	10	M10	9	7	26	29	15	48	62.5	16	0.3	12	8.15	17.6	0.051	
SA12E	12	M12	10	8	28	34	18	54	71	18	0.3	10	10.8	24.5	0.086	
SA15ES	15	M14	12	10	34	40	20	63	83	22	0.3	8	17	36	0.14	
SA17ES	17	M16	14	11	36	46	23	69	92	25	0.3	10	21.2	45	0.19	
SA20ES	20	M20X1.5	16	13	43	53	27	78	104.5	29	0.3	9	30	60	0.31	
SA25ES	25	M24X2	20	17	53	64	32	94	126	35.5	0.6	7	48	83	0.56	
SA30ES	30	M30X2	22	19	65	73	37	110	146.5	40.7	0.6	6	62	110	0.89	
SA35ES	35	M36X3	25	21	82	82	42	140	181	47	0.6	6	80	146	1.4	
SA40ES	40	M39X3	28	23	86	92	48	150	196	53	0.6	7	100	180	1.8	
SA45ES	45	M42X3	32	27	94	102	52	163	214	60	0.6	7	127	240	2.6	
SA50ES	50	M45X3	35	30	107	112	60	185	241	66	0.6	6	156	290	3.4	
SA60ES	60	M52X3	44	38	115	135	75	210	277.5	80	1	6	245	450	5.9	
SA70ES	70	M56X4	49	42	125	160	87	235	315	92	1	6	315	610	8.2	
SA80ES	80	M64X4	55	47	140	180	100	270	360	105	1	6	400	750	12	



Number	Dimensions mm												Load ratings KN		Weight ≈ kg
	d	d <sub>3</sub>	B	C <sub>1</sub> max	l <sub>1</sub> min	d <sub>2</sub> max	l <sub>7</sub> min	h	l <sub>2</sub> max	dk	r <sub>1s</sub> min	α° ≈	C	Co	
SAKB5F	5	M5	8	6	19	18		33	42	11.11	0.3	13	3.6	3.9	0.013
SAKB6F	6	M6	9	6.75	21	20		36	46	12.70	0.3	13	4.7	5.2	0.02
SAKB8F	8	M8	12	9	25	24		42	54	15.88	0.3	13	7.6	8.2	0.038
SAKB10F	10	M10	14	10.5	28	28		48	62	19.05	0.3	13	12	15	0.055
SAKB12F	12	M12	16	12	32	32		54	70	22.23	0.3	13	14	19	0.085
SAKB14F	14	M14	19	13.5	36	36	18	60	78	25.40	0.3	15	19	24	0.14
SAKB16F	16	M16	21	15	37	40	23	66	86	28.58	0.3	15	23	29	0.21
SAKB18F	18	M18X1.5	23	16.5	41	44	25	72	95	31.75	0.6	15	29	34	0.28
SAKB20F	20	M20X1.5	25	18	45	48	26	78	102	34.93	0.6	15	34	40	0.38
SAKB22F	22	M22X1.5	28	20	48	54	29	84	111	38.10	0.6	15	42	50	0.48
SAKB25F	25	M24X2	31	22	55	60	32	94	124	42.86	0.6	15	52	57	0.64
SAKB28F	28	M27X2	35	24	62	66	34	103	136	47.63	0.6	15	66	69	0.8
SAKB30F	30	M30X2	37	25	66	70	37	110	145	50.80	0.6	15	73	77	1.1



Number	Dimensions mm														Load ratings KN		Weight ≈ kg
	d	d <sub>3</sub>	W	B	C <sub>1</sub> max	h <sub>1</sub>	d <sub>2</sub> max	l <sub>4</sub> max	l <sub>5</sub> max	d <sub>4</sub> max	d <sub>5</sub> max	dk	l <sub>3</sub> min	α° ≈	C	Co	
SIKB5F	5	M5	9	8	6	27	18	36	4	8.5	12	11.11	8	13	3.6	3.9	0.016
SIKB6F	6	M6	11	9	6.75	30	20	40	5	10	13	12.70	9	13	4.7	5.2	0.022
SIKB8F	8	M8	14	12	9	36	24	48	5	12.5	16	15.88	12	13	7.6	8.2	0.047
SIKB10F	10	M10	17	14	10.5	43	28	57	6.5	15	19	19.05	15	13	12	15	0.077
SIKB12F	12	M12	19	16	12	50	32	66	6.5	17.5	22	22.23	18	13	14	19	0.1
SIKB14F	14	M14	22	19	13.5	57	36	75	8	20	26	25.40	21	15	19	24	0.16
SIKB16F	16	M16	24	21	15	64	40	84	8	22	28	28.58	24	15	23	29	0.22
SIKB18F	18	M18X1.5	27	23	16.5	71	44	93	10	25	31	31.75	27	15	29	34	0.32
SIKB20F	20	M20X1.5	30	25	18	77	48	101	10	27.5	35	34.93	30	15	34	40	0.42
SIKB22F	22	M22X1.5	32	28	20	84	54	111	12	30	38	38.10	33	15	42	50	0.54
SIKB25F	25	M24X2	36	31	22	94	60	124	12	33.5	42	42.86	36	15	52	57	0.72
SIKB28F	28	M27X2	41	35	24	103	66	136	14	37	46	47.63	41	15	66	69	0.82
SIKB30F	30	M30X2	46	37	25	110	70	145	15	40	50	50.80	45	15	73	77	1.1