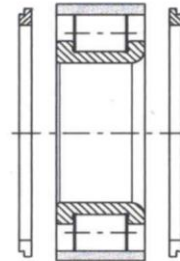


TYPE A
without flange rings



TYPE B
2 flange rings
+ 2 snap rings



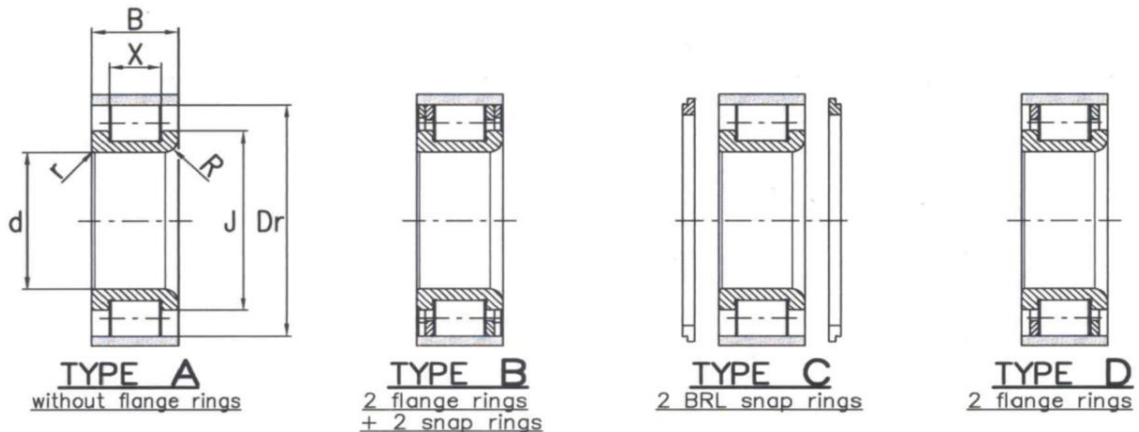
TYPE C
2 BRL snap rings



TYPE D
2 flange rings

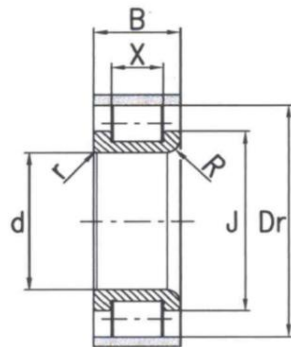
**DO NOT USE THESE DRAFT DRAWINGS TO ORDER BEARINGS.
ASK CPM TECHNICAL SERVICE FOR DETAILED DRAWINGS
AND FOR DIFFERENT DIMENSIONS OR TYPES.**

| d | Dr | B | J | X | R min. | r min. | BASIC DYNAMIC RADIAL LOAD RATING Cr kN | BASIC STATIC RADIAL LOAD RATING Cor kN | TYPE | P / N |
|----|--------|------|-------|------|--------|--------|--|--|------|-----------|
| 15 | 27,116 | 14,0 | 22,20 | 8,0 | 1,8 | 0,3 | 18 | 19,4 | C | 2671 |
| 17 | 28,360 | 19,0 | 23,70 | 13,0 | 2,0 | 0,3 | 27 | 33 | B | 2662 |
| 18 | 30,470 | 20,0 | 25,00 | 13,0 | 2,0 | 0,3 | 28,5 | 33,6 | B | 2663 |
| 18 | 30,520 | 13,0 | 25,15 | 8,0 | 2,0 | 0,5 | 19,9 | 21,2 | B | 2181 |
| 19 | 33,829 | 19,0 | 28,00 | 15,0 | 2,0 | 0,3 | 37,8 | 46,5 | A | 2522 |
| 20 | 33,830 | 18,0 | 27,80 | 10,0 | 2,6 | 0,3 | 27 | 30,1 | B | 2654 |
| 20 | 33,850 | 20,0 | 28,60 | 13,0 | 2,5 | 0,3 | 31,9 | 37,3 | B | 2664 |
| 20 | 33,900 | 16,0 | 28,60 | 10,0 | 2,6 | 0,7 | 27 | 30 | B | 2486 |
| 20 | 35,500 | 14,0 | 29,50 | 8,0 | 1,5 | 0,2 | 23,2 | 25,2 | C | 2512 |
| 20 | 36,810 | 16,0 | 28,60 | 9,0 | 2,6 | 0,7 | 27,5 | 27,9 | A | 2165 |
| 20 | 40,700 | 19,0 | 31,40 | 12,0 | 0,6 | 0,6 | 40 | 41 | A | 2725 |
| 22 | 34,720 | 23,0 | 29,80 | 16,0 | 2,5 | 0,3 | 37 | 54 | B | 2665 |
| 24 | 38,610 | 23,0 | 32,50 | 16,0 | 2,5 | 0,3 | 42,7 | 56,6 | B | 2666 |
| 24 | 38,610 | 25,0 | 32,50 | 18,0 | 2,5 | 0,3 | 47,2 | 64,5 | B | 2775 |
| 24 | 40,167 | 24,0 | 34,20 | 19,8 | 2,5 | 0,3 | 54,6 | 78,9 | A | 2523 |
| 25 | 42,510 | 12,0 | 34,80 | 6,0 | 2,6 | 0,3 | 21,9 | 21,8 | C | 2625-2794 |



**DO NOT USE THESE DRAFT DRAWINGS TO ORDER BEARINGS.
ASK CPM TECHNICAL SERVICE FOR DETAILED DRAWINGS
AND FOR DIFFERENT DIMENSIONS OR TYPES.**

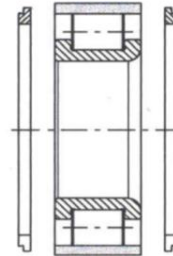
| d | Dr | B | J | X | R min. | r min. | BASIC DYNAMIC RADIAL LOAD RATING Cr kN | BASIC STATIC RADIAL LOAD RATING Cor kN | TYPE | P / N |
|----|--------|------|-------|------|--------|--------|--|--|------|-----------|
| 25 | 42,510 | 16,0 | 34,80 | 9,0 | 2,5 | 0,5 | 31,2 | 34,4 | B | 2404 |
| 25 | 46,520 | 18,0 | 35,80 | 12,0 | 3,0 | 0,5 | 45 | 48,1 | D | 2193 |
| 25 | 46,520 | 18,0 | 35,80 | 12,0 | 3,0 | 0,5 | 45 | 48,1 | A | 2678 |
| 25 | 46,520 | 18,0 | 35,80 | 12,0 | 3,0 | 0,5 | 45 | 48,1 | C | 2767-2795 |
| 25 | 46,520 | 22,0 | 35,20 | 16,0 | 0,6 | 0,6 | 57,5 | 63,5 | A | 2785 |
| 25 | 53,550 | 28,0 | 37,40 | 19,0 | 0,6 | 0,6 | 76,3 | 77,5 | A | 2726 |
| 27 | 41,800 | 25,0 | 35,80 | 18,0 | 2,5 | 0,3 | 50 | 71,7 | B | 2667 |
| 30 | 49,600 | 19,0 | 40,30 | 10,0 | 3,5 | 0,5 | 40,2 | 44,9 | B | 2405 |
| 30 | 50,740 | 14,0 | 40,15 | 7,5 | 3,0 | 0,3 | 32,6 | 32,9 | C | 2529 |
| 30 | 54,001 | 31,0 | 44,80 | 25,0 | 3,0 | 0,3 | 91,6 | 133,2 | A | 2524 |
| 30 | 55,190 | 20,0 | 42,50 | 14,0 | 1,0 | 1,0 | 60,8 | 66,3 | A | 2677 |
| 35 | 63,970 | 23,0 | 47,50 | 15,0 | 1,1 | 1,1 | 76 | 80,5 | A | 2676 |
| 35 | 73,020 | 35,0 | 49,70 | 26,0 | 1,1 | 1,1 | 136,7 | 145,6 | A | 2707 |
| 38 | 54,690 | 20,0 | 49,50 | 12,0 | 4,0 | 0,1 | 46,8 | 67,4 | B | 2503 |
| 40 | 67,650 | 27,0 | 53,00 | 20,0 | 2,6 | 0,3 | 100 | 124 | D | 2728 |
| 50 | 81,700 | 34,0 | 66,60 | 26,0 | 1,5 | 1,5 | 147,8 | 204,4 | A | 2704 |



TYPE A
without flange rings



TYPE B
2 flange rings
+ 2 snap rings



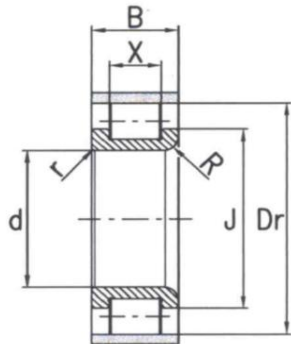
TYPE C
2 BRL snap rings



TYPE D
2 flange rings

**DO NOT USE THESE DRAFT DRAWINGS TO ORDER BEARINGS.
ASK CPM TECHNICAL SERVICE FOR DETAILED DRAWINGS
AND FOR DIFFERENT DIMENSIONS OR TYPES.**

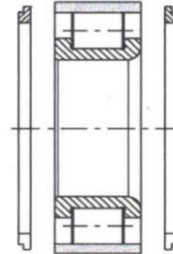
| d | Dr | B | J | X | R min. | r min. | BASIC DYNAMIC RADIAL LOAD RATING Cr kN | BASIC STATIC RADIAL LOAD RATING Cor kN | TYPE | P / N |
|-----|---------|-------|--------|------|--------|--------|--|--|------|-------|
| 50 | 109,270 | 50,0 | 70,90 | 36,0 | 1,0 | 1,0 | 270 | 287 | A | 2790 |
| 55 | 88,810 | 25,0 | 70,80 | 18,0 | 1,5 | 1,5 | 120,2 | 151,5 | A | 2679 |
| 60 | 86,740 | 26,0 | 72,00 | 17,0 | 1,1 | 1,1 | 106,5 | 146,9 | A | 2626 |
| 65 | 93,090 | 26,0 | 78,50 | 17,0 | 1,1 | 1,1 | 112 | 161 | A | 2646 |
| 65 | 120,970 | 60,0 | 85,80 | 44,0 | 1,5 | 1,5 | 370 | 447 | A | 2727 |
| 70 | 100,280 | 30,0 | 81,50 | 18,0 | 1,1 | 1,1 | 132,1 | 178,4 | A | 2627 |
| 75 | 107,900 | 30,0 | 89,20 | 18,0 | 1,1 | 1,1 | 140 | 196 | A | 2578 |
| 75 | 107,900 | 30,0 | 89,20 | 18,0 | 3,5 | 1,5 | 140 | 196 | A | 2684 |
| 85 | 121,440 | 34,0 | 100,00 | 20,0 | 1,1 | 1,1 | 173,5 | 241,5 | A | 2661 |
| 85 | 133,210 | 36,0 | 104,50 | 26,0 | 2,0 | 2,0 | 247,7 | 328,8 | A | 2675 |
| 90 | 130,110 | 37,0 | 106,80 | 22,0 | 1,5 | 1,5 | 208 | 286 | A | 2628 |
| 90 | 130,110 | 37,0 | 106,80 | 22,0 | 1,5 | 1,5 | 208 | 286 | D | 2808 |
| 90 | 176,210 | 80,0 | 122,00 | 55,0 | 2,0 | 2,0 | 638,0 | 785,0 | A | 2791 |
| 100 | 139,650 | 37,0 | 116,40 | 22,0 | 1,5 | 1,5 | 213 | 314 | A | 2653 |
| 130 | 207,120 | 64,0 | 162,30 | 44,0 | 3,0 | 3,0 | 620 | 875 | A | 2768 |
| 140 | 264,447 | 102,0 | 186,00 | 70,0 | 4,0 | 4,0 | 1190 | 1555 | A | 2680 |



TYPE A
without flange rings



TYPE B
2 flange rings
+ 2 snap rings



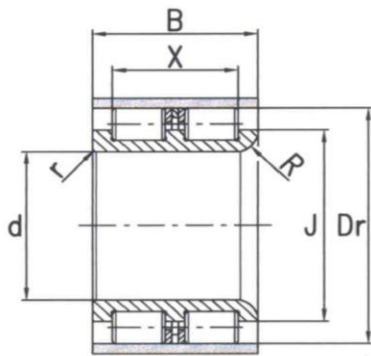
TYPE C
2 BRL snap rings



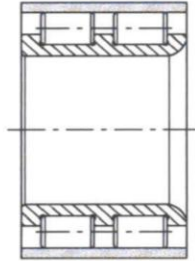
TYPE D
2 flange rings

**DO NOT USE THESE DRAFT DRAWINGS TO ORDER BEARINGS.
ASK CPM TECHNICAL SERVICE FOR DETAILED DRAWINGS
AND FOR DIFFERENT DIMENSIONS OR TYPES.**

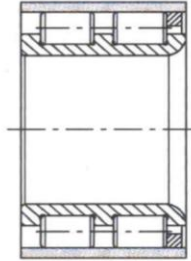
| d | Dr | B | J | X | R min. | r min. | BASIC DYNAMIC RADIAL LOAD RATING Cr kN | BASIC STATIC RADIAL LOAD RATING Cor kN | TYPE | P / N |
|-----|---------|------|--------|------|--------|--------|--|--|------|-------|
| 325 | 383,420 | 43,0 | 351,50 | 30,0 | 3,5 | 2,1 | 585 | 1355 | A | 2787 |
| 375 | 444,820 | 48,0 | 406,50 | 36,0 | 3,5 | 2,1 | 805 | 1185 | A | 2788 |
| 430 | 506,726 | 55,0 | 466,00 | 40,0 | 4,5 | 2,1 | 985 | 2410 | A | 2786 |
| 485 | 575,130 | 66,0 | 527,50 | 48,0 | 5,5 | 3,0 | 1310,0 | 3270,0 | A | 2789 |
| | | | | | | | | | | |
| | | | | | | | | | | |
| | | | | | | | | | | |
| | | | | | | | | | | |
| | | | | | | | | | | |
| | | | | | | | | | | |
| | | | | | | | | | | |
| | | | | | | | | | | |
| | | | | | | | | | | |
| | | | | | | | | | | |
| | | | | | | | | | | |
| | | | | | | | | | | |
| | | | | | | | | | | |
| | | | | | | | | | | |
| | | | | | | | | | | |
| | | | | | | | | | | |
| | | | | | | | | | | |
| | | | | | | | | | | |
| | | | | | | | | | | |



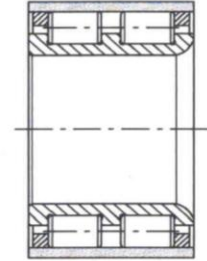
TYPE A
2 flange rings
+ 1 snap ring



TYPE B
without flange rings



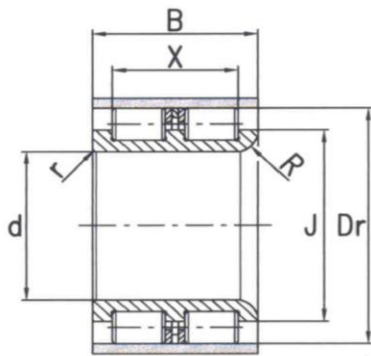
TYPE C
1 side ring



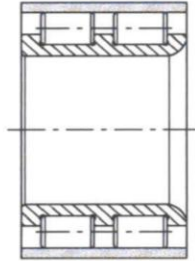
TYPE D
2 side rings

**DO NOT USE THESE DRAFT DRAWINGS TO ORDER BEARINGS.
ASK CPM TECHNICAL SERVICE FOR DETAILED DRAWINGS
AND FOR DIFFERENT DIMENSIONS OR TYPES.**

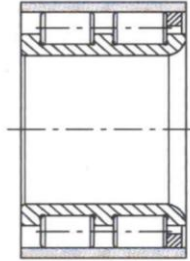
| d | Dr | B | J | X | R min. | r min. | BASIC DYNAMIC RADIAL LOAD RATING Cr kN | BASIC STATIC RADIAL LOAD RATING Cor kN | TYPE | P / N |
|----|--------|------|------|------|--------|--------|--|--|------|-------|
| 18 | 32,300 | 20,5 | 25,9 | 14,9 | 2 | 0,3 | 24,1 | 25,7 | A | 2699 |
| 22 | 36,200 | 30,0 | 30,8 | 23,0 | 2,5 | 0,7 | 47,5 | 68,8 | A | 2435 |
| 22 | 38,750 | 22,5 | 31,0 | 17,3 | 2,0 | 0,3 | 34,6 | 38,1 | A | 2535 |
| 24 | 40,250 | 26,0 | 34,3 | 20,0 | 2,5 | 0,3 | 44 | 59,8 | A | 2400 |
| 24 | 40,250 | 34,0 | 34,3 | 24,0 | 2,0 | 2,0 | 53,3 | 76,4 | A | 2597 |
| 25 | 40,250 | 26,0 | 34,3 | 20,0 | 2,5 | 0,3 | 44 | 59,8 | A | 2686 |
| 25 | 40,250 | 32,0 | 34,3 | 24,0 | 3,0 | 0,3 | 53,3 | 76,4 | A | 2613 |
| 28 | 43,350 | 26,5 | 37,3 | 20,0 | 3,0 | 0,3 | 46,6 | 66,1 | A | 2519 |
| 28 | 44,450 | 34,0 | 36,5 | 27,6 | 2,5 | 0,3 | 70,8 | 99,8 | A | 2776 |
| 30 | 46,400 | 32,0 | 38,7 | 27,6 | 2,0 | 0,3 | 73,2 | 105,7 | A | 2594 |
| 30 | 48,250 | 40,0 | 40,6 | 32,0 | 2,5 | 2,5 | 85,8 | 131,6 | A | 2687 |
| 30 | 49,600 | 26,0 | 38,6 | 20,0 | 3,0 | 0,3 | 57 | 70,3 | D | 2510 |
| 30 | 49,600 | 24,0 | 40,0 | 18,0 | 3,0 | 0,3 | 50,8 | 60,6 | A | 2178 |
| 30 | 49,600 | 25,0 | 40,0 | 18,9 | 3,0 | 0,3 | 50,8 | 60,6 | A | 2651 |
| 30 | 49,600 | 26,0 | 40,0 | 20,0 | 3,0 | 0,3 | 57,1 | 70,4 | A | 2198 |
| 30 | 49,600 | 30,0 | 40,0 | 24,0 | 2,6 | 0,3 | 69,1 | 90 | A | 2683 |



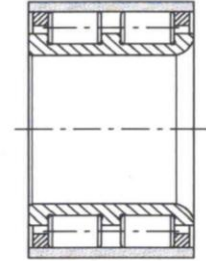
TYPE A
2 flange rings
+ 1 snap ring



TYPE B
without flange rings



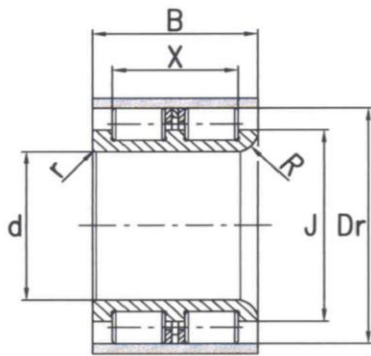
TYPE C
1 side ring



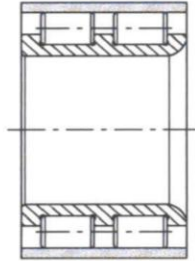
TYPE D
2 side rings

**DO NOT USE THESE DRAFT DRAWINGS TO ORDER BEARINGS.
ASK CPM TECHNICAL SERVICE FOR DETAILED DRAWINGS
AND FOR DIFFERENT DIMENSIONS OR TYPES.**

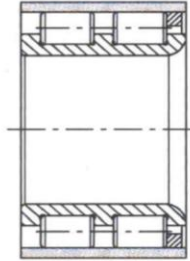
| d | Dr | B | J | X | R min. | r min. | BASIC DYNAMIC RADIAL LOAD RATING Cr kN | BASIC STATIC RADIAL LOAD RATING Cor kN | TYPE | P / N |
|----|--------|------|----------------|-------|--------|--------|--|--|------|-----------|
| 32 | 46,600 | 25,0 | 41,0 | 20,5 | 3,0 | 0,3 | 54,3 | 82,5 | D | 2508 |
| 32 | 46,600 | 28,0 | 41,0 | 22,0 | 3,0 | 0,3 | 54,3 | 82,5 | A | 2183-2439 |
| 32 | 48,240 | 34,0 | 41,0 | 27,6 | 2,5 | 0,3 | 76 | 112 | A | 2668 |
| 32 | 51,750 | 25,0 | 42,5 | 19,9 | 3,0 | 0,3 | 59,1 | 74,7 | A | 2496 |
| 32 | 51,750 | 29,0 | 42,5 | 24,0 | 3,0 | 0,3 | 71,5 | 95,5 | A | 2579 |
| 34 | 50,200 | 29,0 | 42,5 | 23,6 | 2,5 | 0,3 | 66,7 | 96,6 | A | 2634 |
| 35 | 49,800 | 28,0 | 43,9 | 22,0 | 3,0 | 0,3 | 56,8 | 89,7 | A | 2434 |
| 35 | 52,090 | 26,5 | 44,5 | 20,9 | 2,5 | 0,3 | 56,6 | 79,4 | A | 2488-2723 |
| 35 | 55,520 | 36,0 | 45,0 | 28,0 | 0,6 | 0,6 | 83,6 | 113,6 | B | 2470 |
| 35 | 55,520 | 36,0 | 45,0 | 28,0 | 0,6 | 0,6 | 83,6 | 113,6 | A | 2520 |
| 35 | 55,520 | 36,0 | 45,0 | 28,0 | 2,5 | 0,3 | 83,6 | 113,6 | A | 2706 |
| 35 | 59,190 | 27,0 | 48,2 | 21,33 | 3,0 | 0,3 | 68,4 | 85,5 | A | 2721 |
| 35 | 64,300 | 26,5 | 52,9 | 20,9 | 2,5 | 0,3 | 72,9 | 95,7 | A | 2528 |
| 38 | 52,950 | 28,0 | 47,0 | 22,0 | 3,0 | 0,3 | 59,2 | 97 | A | 2164 |
| 38 | 52,950 | 29,5 | 47,5 | 21,9 | 3,2 | 0,1 | 59,2 | 97 | A | 2504 |
| 38 | 52,950 | 29,5 | 47,5 / 48,5 | 21,9 | 3,7 | 0,1 | 59,2 | 97 | A | 2806 |



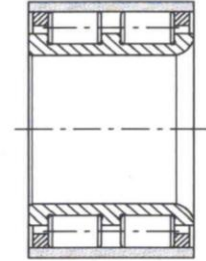
TYPE A
2 flange rings
+ 1 snap ring



TYPE B
without flange rings



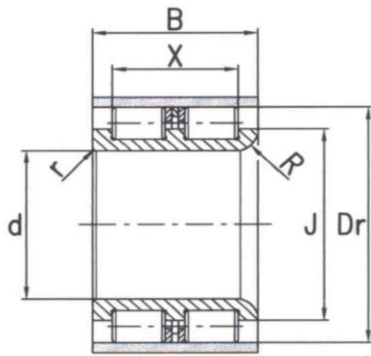
TYPE C
1 side ring



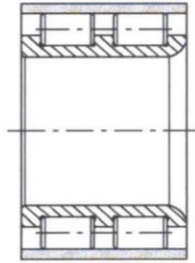
TYPE D
2 side rings

**DO NOT USE THESE DRAFT DRAWINGS TO ORDER BEARINGS.
ASK CPM TECHNICAL SERVICE FOR DETAILED DRAWINGS
AND FOR DIFFERENT DIMENSIONS OR TYPES.**

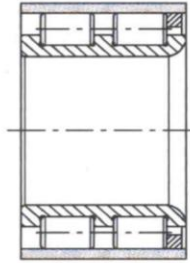
| d | Dr | B | J | X | R min. | r min. | BASIC DYNAMIC RADIAL LOAD RATING Cr kN | BASIC STATIC RADIAL LOAD RATING Cor kN | TYPE | P / N |
|----|--------|------|------|------|--------|--------|--|--|------|-------|
| 38 | 54,690 | 29,5 | 49,5 | 20,7 | 4,0 | 0,1 | 56,9 | 86,7 | A | 2464 |
| 38 | 54,690 | 29,5 | 49,2 | 21,6 | 4,0 | 0,1 | 63 | 99 | A | 2458 |
| 38 | 57,910 | 38,0 | 48,0 | 32,0 | 3,0 | 0,3 | 106 | 156 | A | 2669 |
| 40 | 57,810 | 34,0 | 50,0 | 28,0 | 3,2 | 0,3 | 86,1 | 141,2 | A | 2168 |
| 40 | 60,680 | 31,0 | 51,4 | 25,6 | 3,2 | 0,3 | 80,8 | 118,1 | D | 2729 |
| 40 | 61,740 | 28,0 | 50,2 | 20,9 | 3,0 | 0,3 | 70,6 | 90,6 | A | 2179 |
| 40 | 61,740 | 28,0 | 50,2 | 20,9 | 3,0 | 0,3 | 70,6 | 90,6 | C | 2188 |
| 40 | 61,740 | 32,0 | 50,2 | 24,9 | 3,0 | 0,3 | 85 | 116 | A | 2180 |
| 40 | 61,740 | 35,5 | 50,2 | 27,6 | 2,6 | 0,3 | 100 | 140 | A | 2650 |
| 40 | 61,740 | 38,0 | 50,2 | 30,0 | 1,1 | 1,1 | 100,0 | 141,0 | C | 2506 |
| 40 | 75,630 | 78,0 | 56,0 | 61,1 | 1,1 | 1,1 | 243,2 | 337,2 | D | 2567 |
| 42 | 60,750 | 37,0 | 51,5 | 30,9 | 3,0 | 0,3 | 100,7 | 156,9 | A | 2412 |
| 42 | 60,750 | 37,0 | 51,5 | 31,6 | 3,0 | 0,3 | 107,2 | 170 | A | 2777 |
| 44 | 61,600 | 34,0 | 53,9 | 28,0 | 3,2 | 0,3 | 90,1 | 153 | A | 2592 |
| 44 | 62,970 | 37,0 | 53,4 | 30,9 | 2,5 | 0,3 | 103,5 | 164,4 | A | 2401 |
| 45 | 61,550 | 32,0 | 53,8 | 24,9 | 3,0 | 0,3 | 77 | 126 | A | 2559 |



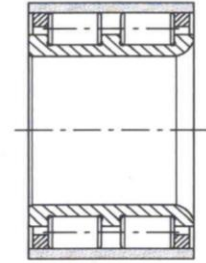
TYPE A
2 flange rings
+ 1 snap ring



TYPE B
without flange rings



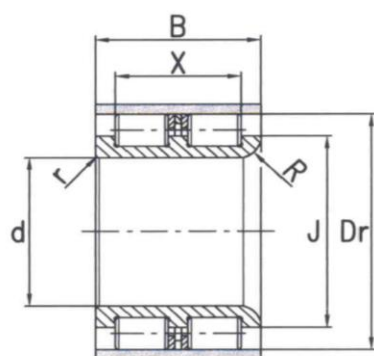
TYPE C
1 side ring



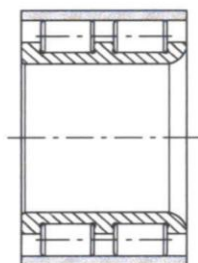
TYPE D
2 side rings

**DO NOT USE THESE DRAFT DRAWINGS TO ORDER BEARINGS.
ASK CPM TECHNICAL SERVICE FOR DETAILED DRAWINGS
AND FOR DIFFERENT DIMENSIONS OR TYPES.**

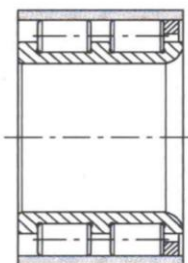
| d | Dr | B | J | X | R min. | r min. | BASIC DYNAMIC RADIAL LOAD RATING Cr kN | BASIC STATIC RADIAL LOAD RATING Cor kN | TYPE | P / N |
|----|--------|------|---------|------|--------|--------|--|--|------|-----------|
| 45 | 61,550 | 36,0 | 53,9 | 28,9 | 3,0 | 0,3 | 90 | 153 | A | 2425 |
| 45 | 65,020 | 34,0 | 54,5 | 27,3 | 3,0 | 0,3 | 94,3 | 140,4 | A | 2647 |
| 45 | 66,850 | 37,5 | 55,8 | 28,6 | 3,5 | 0,3 | 106 | 156,7 | A | 2419-2722 |
| 45 | 83,880 | 85,0 | 64,2 | 64,7 | 1,1 | 1,1 | 268 | 393,9 | D | 2619 |
| 46 | 69,500 | 45,0 | 56,5 | 37,3 | 3,2 | 0,3 | 145 | 207 | A | 2807 |
| 50 | 67,280 | 32,0 | 61,0 | 25,8 | 3,2 | 0,3 | 75,7 | 145,2 | A | 2530 |
| 50 | 67,360 | 40,0 | 60,4 | 32,6 | 4,0 | 1,0 | 109 | 201 | A | 2720 |
| 50 | 69,580 | 40,0 | 60,3 | 33,3 | 3,0 | 0,3 | 118 | 202 | B | 2719 |
| 50 | 69,670 | 32,0 | 60,3 | 24,9 | 3,0 | 0,3 | 89,1 | 141 | A | 2492 |
| 50 | 69,670 | 37,5 | 60,3 | 31,4 | 2,5 | 0,3 | 111,2 | 186,9 | A | 2609 |
| 50 | 69,670 | 42,5 | 65/60,3 | 33,4 | 6,0 | 0,3 | 118 | 202 | A | 2590 |
| 50 | 72,000 | 31,0 | 62,0 | 24,0 | 4,0 | 0,3 | 111,8 | 172,5 | B | 2645 |
| 50 | 72,050 | 37,0 | 61,8 | 28,5 | 4,0 | 0,1 | 111,7 | 172,5 | A | 2466 |
| 50 | 72,330 | 39,0 | 59,0 | 32,5 | 3,2 | 0,3 | 130,9 | 194,3 | A | 2518 |
| 50 | 72,330 | 40,0 | 59,0 | 33,1 | 1,1 | 1,1 | 130,9 | 194,3 | C | 2190-2465 |
| 50 | 72,330 | 40,0 | 59,0 | 33,1 | 1,1 | 1,1 | 130,9 | 194,3 | A | 2432-2596 |



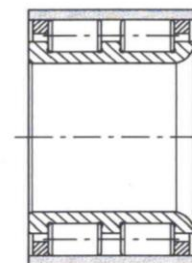
TYPE A
2 flange rings
+ 1 snap ring



TYPE B
without flange rings



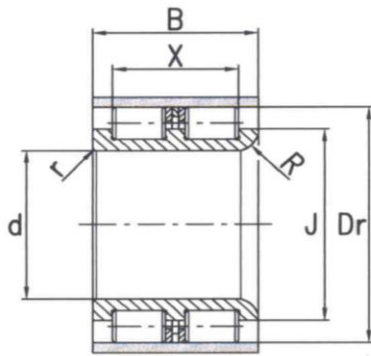
TYPE C
1 side ring



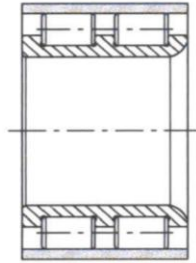
TYPE D
2 side rings

**DO NOT USE THESE DRAFT DRAWINGS TO ORDER BEARINGS.
ASK CPM TECHNICAL SERVICE FOR DETAILED DRAWINGS
AND FOR DIFFERENT DIMENSIONS OR TYPES.**

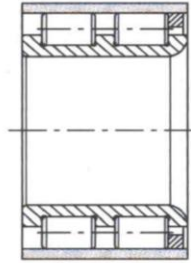
| d | Dr | B | J | X | R min. | r min. | BASIC DYNAMIC RADIAL LOAD RATING Cr kN | BASIC STATIC RADIAL LOAD RATING Cor kN | TYPE | P / N |
|----|---------|-------|------|------|--------|--------|--|--|------|-----------|
| 50 | 75,250 | 40,0 | 62,0 | 32,5 | 2,5 | 1,0 | 135 | 204,6 | A | 2649 |
| 50 | 81,450 | 32,0 | 65,0 | 26,1 | 3,0 | 0,3 | 124 | 163 | A | 2798 |
| 55 | 76,940 | 40,0 | 66,0 | 31,1 | 3,0 | 0,3 | 125 | 205 | A | 2698 |
| 55 | 77,070 | 41,0 | 66,0 | 33,8 | 3,0 | 0,3 | 133,4 | 221,8 | A | 2593 |
| 55 | 83,540 | 46,0 | 68,5 | 39,0 | 1,1 | 1,1 | 178 | 280 | C | 2191-2444 |
| 55 | 83,540 | 47,0 | 68,5 | 40,1 | 3,5 | 1,1 | 177,5 | 279,8 | A | 2509-2685 |
| 55 | 85,070 | 41,0 | 66,0 | 33,8 | 3,0 | 0,3 | 161 | 218 | A | 2731 |
| 55 | 94,760 | 100,0 | 73,4 | 76,7 | 1,1 | 1,1 | 321,5 | 491,3 | D | 2620 |
| 55 | 88,850 | 52,0 | 72,5 | 42,1 | 6,2 | 0,5 | 206 | 303 | A | 2558-2674 |
| 60 | 83,830 | 46,0 | 71,0 | 39,8 | 2,5 | 0,3 | 171,7 | 290 | A | 2532-2724 |
| 60 | 83,830 | 47,0 | 71,0 | 39,8 | 2,5 | 0,3 | 171,7 | 289,8 | A | 2495-2566 |
| 60 | 89,800 | 52,0 | 72,6 | 42,6 | 4,0 | 0,3 | 206,1 | 311 | A | 2799 |
| 65 | 89,800 | 48,0 | 78,5 | 40,6 | 4,0 | 0,3 | 173,5 | 329,3 | A | 2656 |
| 65 | 93,090 | 46,0 | 78,5 | 39,0 | 4,0 | 1,1 | 192,3 | 322 | D | 2652-2783 |
| 65 | 93,100 | 58,0 | 78,5 | 49,6 | 3,5 | 0,3 | 238 | 423 | A | 2527 |
| 65 | 109,660 | 110,0 | 83,0 | 83,7 | 1,5 | 1,5 | 442 | 677 | D | 2617 |



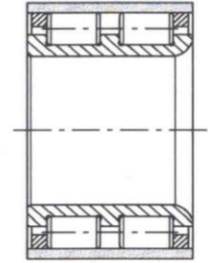
TYPE A
2 flange rings
+ 1 snap ring



TYPE B
without flange rings



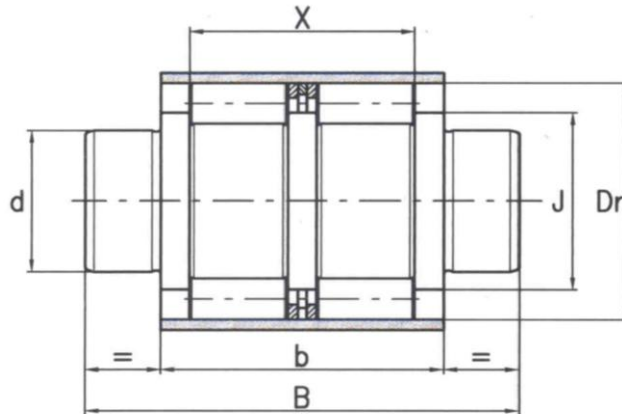
TYPE C
1 side ring



TYPE D
2 side rings

**DO NOT USE THESE DRAFT DRAWINGS TO ORDER BEARINGS.
ASK CPM TECHNICAL SERVICE FOR DETAILED DRAWINGS
AND FOR DIFFERENT DIMENSIONS OR TYPES.**

| d | Dr | B | J | X | R min. | r min. | BASIC DYNAMIC RADIAL LOAD RATING Cr kN | BASIC STATIC RADIAL LOAD RATING Cor kN | TYPE | P / N |
|-----|---------|-------|-------|-------|--------|--------|--|--|------|-----------|
| 70 | 95,290 | 54,0 | 82,2 | 43,6 | 4,0 | 1,0 | 197 | 362 | A | 2700-2702 |
| 70 | 100,280 | 54,0 | 81,5 | 42,0 | 1,1 | 1,1 | 226 | 357 | A | 2507 |
| 75 | 115,780 | 31x2 | 92,5 | 53,0 | 3,5 | 1,5 | 317 | 491 | A | 2735 |
| 75 | 127,550 | 120,0 | 98,7 | 90,6 | 2,0 | 2,0 | 534 | 870 | D | 2640 |
| 80 | 111,760 | 62,0 | 93,0 | 52,0 | 4,0 | 1,0 | 290 | 505 | A | 2703 |
| 80 | 112,750 | 60,0 | 93,1 | 50,0 | 1,1 | 1,1 | 274 | 449 | A | 2610 |
| 80 | 122,100 | 70,0 | 96,0 | 60,0 | 4,2 | 0,3 | 377 | 583 | A | 2657 |
| 80 | 141,920 | 130,0 | 106,7 | 100,6 | 2,0 | 2,0 | 716 | 1140 | D | 2641 |
| 85 | 121,400 | 70,0 | 100,0 | 60,0 | 1,1 | 1,1 | 369 | 638 | A | 2633 |
| 85 | 121,440 | 60,0 | 100,0 | 49,0 | 4,0 | 1,0 | 297 | 483 | A | 2682 |
| 90 | 130,110 | 72,0 | 106,8 | 58,7 | 5,0 | 1,5 | 346 | 573 | A | 2734 |
| 95 | 155,870 | 150,0 | 120,6 | 118,6 | 2,0 | 2,0 | 832 | 1426 | D | 2642 |
| 110 | 156,130 | 80,0 | 127,9 | 62,0 | 6,0 | 1,0 | 480 | 813 | A | 2736 |
| 130 | 183,810 | 95,0 | 149,0 | 78,0 | 5,0 | 0,3 | 717,3 | 1246,6 | D | 2655 |
| 140 | 197,820 | 95,0 | 163,0 | 81,0 | 5,0 | 2,0 | 757 | 1372 | A | 2681 |



**DO NOT USE THESE DRAFT DRAWINGS TO ORDER BEARINGS.
 ASK CPM TECHNICAL SERVICE FOR DETAILED DRAWINGS
 AND FOR DIFFERENT DIMENSIONS OR TYPES.**

| d | Dr | B | b | J | X | BASIC DYNAMIC RADIAL LOAD RATING Cr kN | BASIC STATIC RADIAL LOAD RATING Cor kN | P / N |
|----|--------|-------|-------|------|------|--|--|-------|
| 30 | 58,235 | 81,0 | 49,00 | 43,5 | 41,0 | 124,3 | 177,8 | 2159 |
| 35 | 58,200 | 97,5 | 63,50 | 43,7 | 50,6 | 161,2 | 219,7 | 2660 |
| 40 | 75,670 | 100,0 | 64,00 | 56,0 | 52,0 | 192,7 | 282,9 | 2189 |
| 50 | 82,800 | 114,5 | 70,00 | 58,5 | 55,5 | 229,3 | 317,0 | 2199 |
| | | | | | | | | |
| | | | | | | | | |
| | | | | | | | | |
| | | | | | | | | |
| | | | | | | | | |
| | | | | | | | | |
| | | | | | | | | |
| | | | | | | | | |
| | | | | | | | | |
| | | | | | | | | |
| | | | | | | | | |
| | | | | | | | | |
| | | | | | | | | |
| | | | | | | | | |
| | | | | | | | | |
| | | | | | | | | |
| | | | | | | | | |