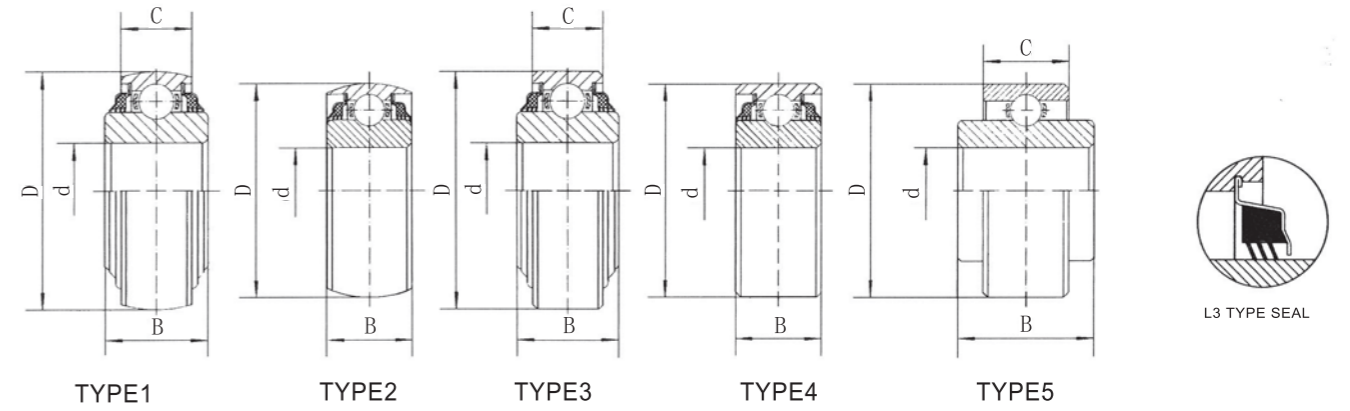
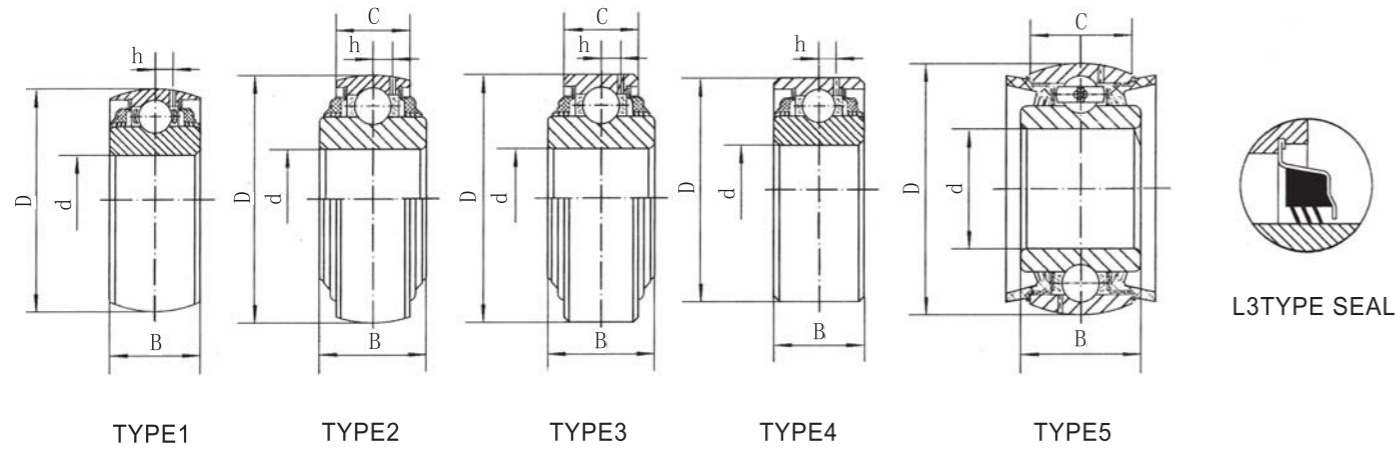


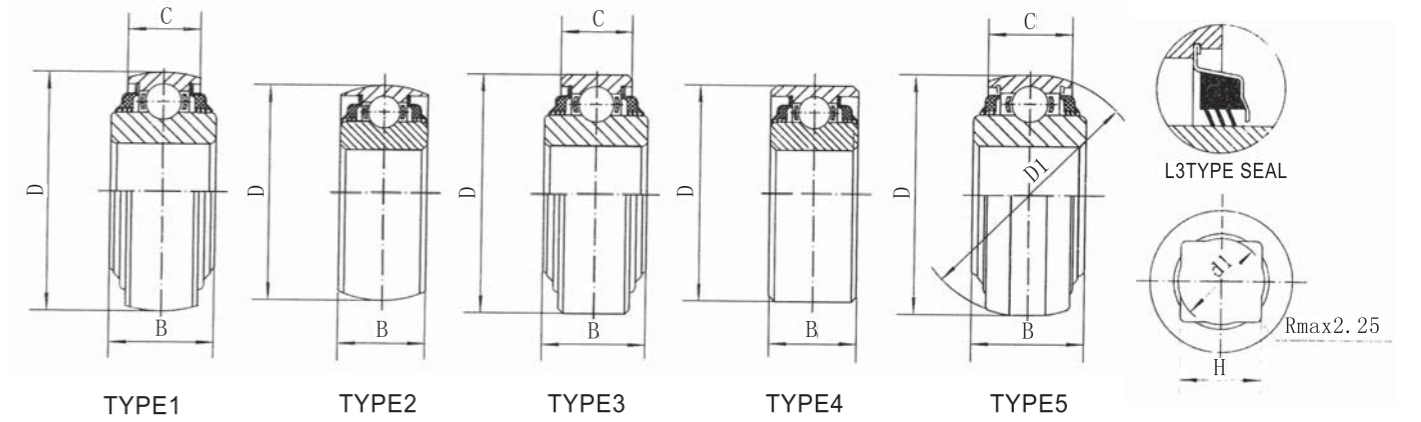
Bearing No	Type	Dimensions mm in.				Dynamic load ratings N	Static load ratings N	Weight (kg)
		d	D	C	B			
203KR2	4	0.6250 15.883	1.5748 40.000	0.4720 12.000	0.5510 14.000	12800	6650	0.077
203KRR2	1	0.6400 16.256	1.5748 40.000	0.4720 12.000	0.7200 18.288	12800	6650	0.085
203KRR5	1	0.5150 13.081	1.5748 40.000	0.4720 12.000	0.7200 18.288	12800	6650	0.096
203KRR6	1	0.6400 16.256	1.8504 47.000	0.4720 12.000	0.7200 18.288	12800	6650	0.130
203KRR7	1	0.6690 17.000	1.5748 40.000	0.4720 12.000	0.6540 16.612	12800	6650	0.079
204KR2	4	0.7505 19.063	1.7805 45.225	0.6100 15.494	0.6100 15.494	12800	6650	0.107
204KRR3	1	0.7874 20.000	1.8504 47.000	0.5510 14.000	0.6990 17.755	12800	6650	0.121
204KRD4	2	0.6300 16.000	1.8504 47.000	0.5510 14.000	0.6890 17.500	12800	6650	0.135
204KRR14	1	0.6300 16.000	1.8504 47.000	0.5910 15.000	0.7200 18.288	12800	6650	0.142
205KR3	5	0.7500 19.050	2.0472 52.000	0.6992 17.760	0.6402 16.260	14000	7850	0.161
205KR4	3	1.0005 25.413	2.0472 52.000	0.5910 15.000	1.0000 15.400	14000	7850	0.148
206KR7	3	1.1810 30.000	2.4410 62.000	0.6300 16.000	0.9450 24.000	19500	11300	0.260
206KRR8	1	1.1810 30.000	2.4410 62.000	0.6300 16.000	0.9450 24.000	19500	11300	0.260
206KRR18	1	1.2598 32.000	2.4410 62.000	0.6300 16.000	0.9450 24.000	19500	11300	0.219
207KRR	1	1.3780 35.000	2.8346 72.000	0.6690 17.000	0.9840 28.000	25700	15300	0.350
208KRR2	1	1.5748 40.000	3.1496 80.000	0.8270 21.000	1.0630 27.000	29500	18100	0.450
210KRR	1	1.9685 50.000	3.5433 90.000	0.7874 20.000	1.1810 30.000	35000	23200	0.524
214KRR	1	2.7559 70.000	4.9212 125.000	1.1024 28.000	1.6929 43.000	60800	45000	1.546



Bearing No	Type	Dimensions mm in.				Dynamic load ratings N	Static load ratings N	Weight (kg)
		d	D	C	B			
W208PPB 2	1	1.5005 38.113	3.1496 80.000	0.7090 18.000	1.6913 42.96	29500	18100	0.598
W208PPB 7	1	1.180 30.175	3.1496 80.000	0.7090 18.000	1.1890 30.20	29500	18100	0.558
W208PPB 10	3	1.5005 38.113	3.1496 80.000	0.8268 21.00	1.6913 42.96	29500	18100	0.817
W208PPB 23	1	1.5005 38.113	3.1496 80.000	1.1890 30.20	1.6913 42.96	29500	18100	0.817
W209PPB 2	2	1.7717 45.000	3.3465 85.000	1.1890 30.20	1.1890 30.20	31600	20600	0.566
W209PPB 4	2	1.5350 39.000	3.3465 85.000	1.1890 30.20	1.1890 30.20	31600	20600	0.659
W209PPB 11	1	1.7811 45.240	3.3465 85.000	0.8660 22.00	1.4370 36.50	31600	26200	0.573
W210PP 2	4	1.9380 49.225	3.5433 90.000	1.1890 30.20	1.1890 30.20	35000	23200	0.667
W210PPB 2	2	1.9390 49.225	3.5433 90.000	1.1890 30.20	1.1890 30.20	35000	23200	0.708
W210PPB 5	2	1.7850 45.340	3.5433 90.000	1.1890 30.20	1.1890 30.20	35000	23200	0.749
W210PP 8	4	1.5300 38.862	3.5433 90.000	1.1890 30.20	1.1890 30.20	35000	23200	0.836
W211PP 2	4	2.1800 55.575	3.9370 100.000	1.3110 33.30	1.3110 33.30	43500	29200	1.010
W211PPB 2	2	2.1800 55.575	3.9370 100.000	1.3110 33.30	1.3110 33.30	43500	29200	0.810
W214PP 2	4	2.7559 70.000	4.9213 125.000	1.5630 39.70	1.5630 39.70	60800	45000	1.902
W214PPB 2	2	2.7559 70.000	4.9213 125.000	1.5630 39.70	1.5630 39.70	60800	45000	1.667
W214PPB 9	1	2.7661 70.260	4.9213 125.000	1.1024 28.00	1.7500 44.45	60800	45000	1.902
WIR210-31	5	1.937 49.2	2.543 90	0.787 20	1.937 49.2	35000	23200	0.740
WIR211-33	5	2.063 52.388	3.937 100	0.827 21	2.189 56.6	43500	29200	1.122
WIR212-39	5	2.437 61.912	4.331 110	0.866 22	2.437 61.9	47700	32900	1.249

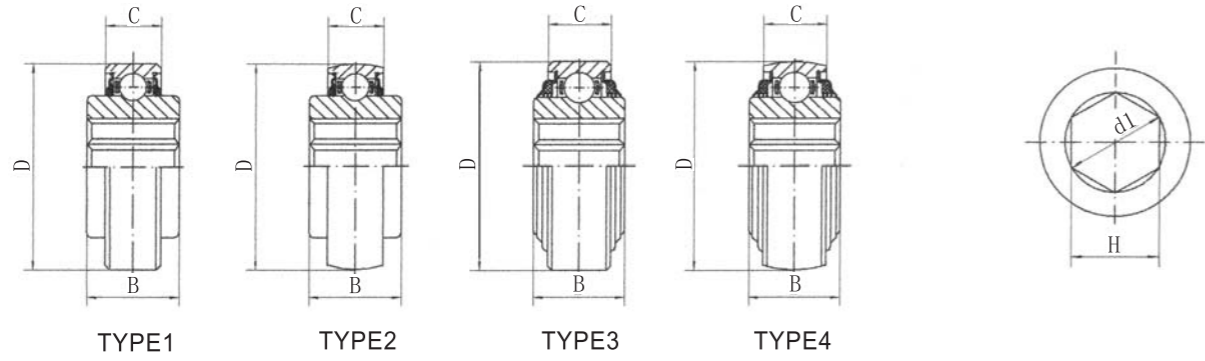


Bearing No	Type	Dimensions mm in.					Dynamic load ratings N	Static load ratings N	Weight (kg)
		d	D	C	B	h			
GW205PPB 7	2	0.9375 23.812	2.0472 52.000	0.5906 15.00	1.3780 35.00	0.1693 4.30	14000	7850	0.202
GW208PPB 7	2	1.1880 30.175	3.1496 80.000	0.9450 24.00	1.1890 30.20	0.2520 6.40	29500	18100	0.600
GW209PPB 2	1	1.7717 45.000	3.3465 85.000	1.1890 30.20	1.1890 30.20	0.2598 6.60	31600	20600	0.582
GW209PPB 4	1	1.5354 39.000	3.3465 85.000	1.1890 30.20	1.1890 30.20	0.2598 6.60	31600	20600	0.603
GW209PPB 11	2	1.7811 45.240	3.3465 85.000	0.8660 22.00	1.4370 36.50	0.2598 6.60	31600	20600	0.573
GW210PPB 2	1	1.9380 49.225	3.5433 90.000	1.1890 30.20	1.1890 30.20	0.2598 6.60	35000	23200	0.616
GW210PP 3	4	1.4766 37.530	3.5233 90.000	1.1890 30.20	1.1890 30.20	0.2598 6.60	35000	23200	1.022
GW210PPB 5	1	1.7850 45.340	3.5433 90.000	1.1890 30.20	1.1890 30.20	0.2598 6.60	35000	23200	0.648
GW210PPB 9	3	1.9449 49.400	3.5433 90.000	0.9055 23.00	1.4370 36.50	0.2598 6.60	35000	23200	0.793
GW211PP 2	4	2.1890 55.575	3.9370 100.000	1.3126 33.30	1.3126 33.30	0.2992 7.60	43500	29200	0.880
GW211PPB 2	1	2.1880 55.575	3.9370 100.000	1.3126 33.30	1.3126 33.30	0.2992 7.60	43500	29200	0.810
GW211PPB 8	2	2.1880 55.575	3.9370 100.000	0.9840 25.00	1.3126 33.30	0.2992 7.60	43500	29200	0.750
GW211PPB 9	2	2.1949 55.750	3.9370 100.000	0.984 25	1.563 39.7	0.2992 7.60	43500	29200	0.917
GW211PPB 10	1	1.9380 49.225	3.9370 100.000	1.3126 33.30	1.3126 33.30	0.2992 7.60	43500	29200	1.026
GW211PPB 13	2	1.7850 45.340	3.9370 100.000	0.9840 25.00	1.3126 33.30	0.2992 7.60	43500	29200	0.985
GW211PPB 14	2	2.0150 51.180	3.9370 100.000	0.9840 25.00	1.3126 33.30	0.2992 7.60	43500	29200	0.990
GW211PPB 20	5	2.1949 55.750	3.9370 100.000	1.2992 33.00	1.5748 40.00		43500	29200	1.038
GW214PP 2	4	2.7559 70.000	4.9213 125.000	1.5630 39.70	1.5630 39.70	0.3543 9.00	60800	45000	1.902
GW214PPB 2	1	2.7559 70.000	4.9213 125.000	1.5630 39.70	1.5630 39.70	0.3543 9.00	60800	45000	1.666
GW214PPB 6	4	2.6882 68.280	4.9213 125.000	1.1024 28.00	2.6874 68.26	0.3543 9.00	60800	45000	1.362
GW309PPB 2	2	1.7717 45.000	3.9370 100.000	1.0630 27.00	1.8740 47.60	0.3386 8.60	52880	31800	0.980



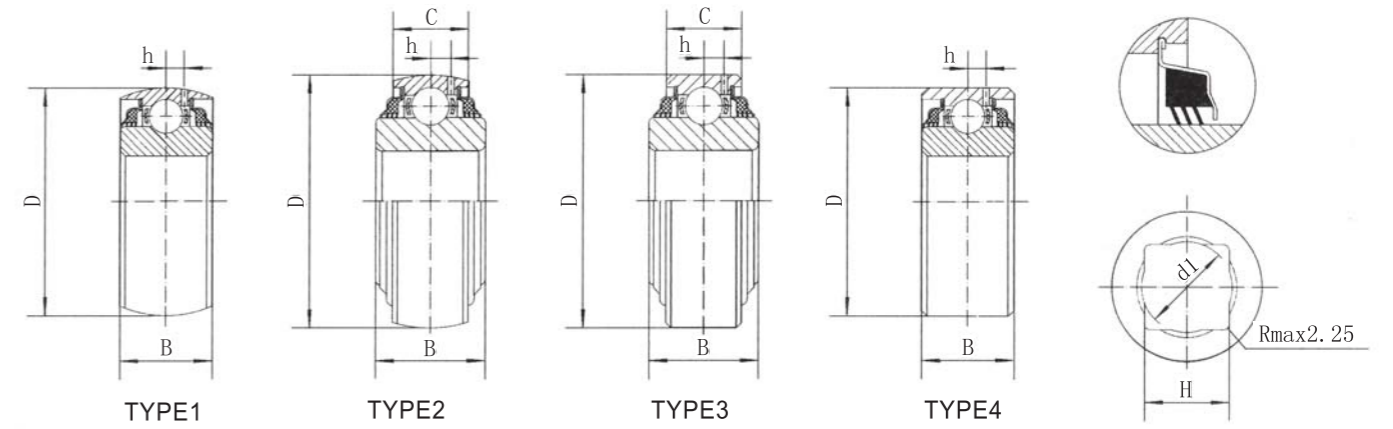
Bearing No	Type	Dimensions mm in.						Dynamic load ratings N	Static load ratings N	Weight (kg)
		H	d1	D	D1	C	B			
W208PP 5	3	1.1800 29.972	1.2598 32.000	3.1496 80.000		0.7090 18.00	1.4370 36.50	29500	18100	0.600
W208PPB 5	1	1.1800 29.972	1.2598 32.000	3.1496 80.000		0.7090 18.00	1.4370 36.50	29500	181100	0.590
W208PP 6	3	1.0300 26.162	1.0945 27.800	3.1496 80.000		0.7090 18.00	1.4370 36.50	29500	18100	0.662
W208PPB 6	1	1.0300 26.162	1.0945 27.800	3.1496 80.000		1.1890 18.00	1.4370 36.50	29500	18100	0.652
W208PP 8	3	1.1800 29.972	1.2598 32.000	3.1496 80.000		1.1890 30.20	1.4370 36.50	29500	18100	0.709
W208PPB 8	1	1.1800 29.972	1.2598 32.000	3.1496 80.000		1.1890 30.20	1.4370 36.50	29500	18100	0.735
W208PPB 9	1	1.0300 26.162	1.0945 27.800	3.1496 80.000		1.1890 30.20	1.4370 36.50	29500	18100	0.788
W208PPB 11	5	0.9050 22.987	0.9764 24.800	3.4020 85.750	0.4385 87.338	1.1890 30.20	1.4370 36.50	29500	18100	0.956
W208PPB 12	5	1.1800 29.972	1.2598 32.000	3.4020 85.750	0.4385 87.338	1.1890 30.20	1.4370 36.50	29500	18100	0.953
W208PPB 13	1	0.9050 22.987	0.9764 24.800	3.1496 80.000		0.7090 18.00	1.4370 36.50	29500	18100	0.690
W209PPB 5	1	1.2900 32.766	1.3504 34.300	3.3465 85.000		1.1890 30.20	1.4370 36.50	31600	20600	0.945
W209PPB 8	1	1.2900 32.766	1.3504 34.300	3.3465 85.000		0.7480 19.00	1.4370 36.50	31600	20600	0.723
W210PP 4	4	1.1800 29.972	1.2598 32.000	3.5433 90.000		1.1890 30.20	1.1882 30.20	35000	23200	1.049
W210PPB 4	2	1.1800 29.972	1.2598 32.000	3.5433 90.000		1.1890 30.20	1.1890 30.20	35000	23200	0.846
W210PPB 6	1	1.1800 29.972	1.2598 32.000	3.5433 90.000		1.1890 30.20	1.4370 36.50	35000	29200	0.733
W211PP 3	4	1.5311 38.890	1.6535 42.000	3.9370 100.000		1.3126 33.30	1.3126 33.30	43500	29200	1.271
W211PPB 3	2	1.5311 38.890	1.6535 42.000	3.9370 100.000		1.3126 33.30	1.3126 33.30	43500	29200	1.208
W211PP 5	3	1.5311 38.890	1.6535 42.000	4.0000 101.600		1.4370 36.50	1.7500 44.45	43500	29200	1.302
W211PPB 6	5	1.5311 38.890	1.6535 42.000	4.0772 103.560	4.1299 104.90	1.4370 36.50	1.7500 44.45	43500	29200	1.610
4509BA	3	1.2900 32.766	1.3504 34.300	3.3465 85.000		1.1890 30.20	1.3976 35.50	31600	20600	0.782

Hex bore bearing also available



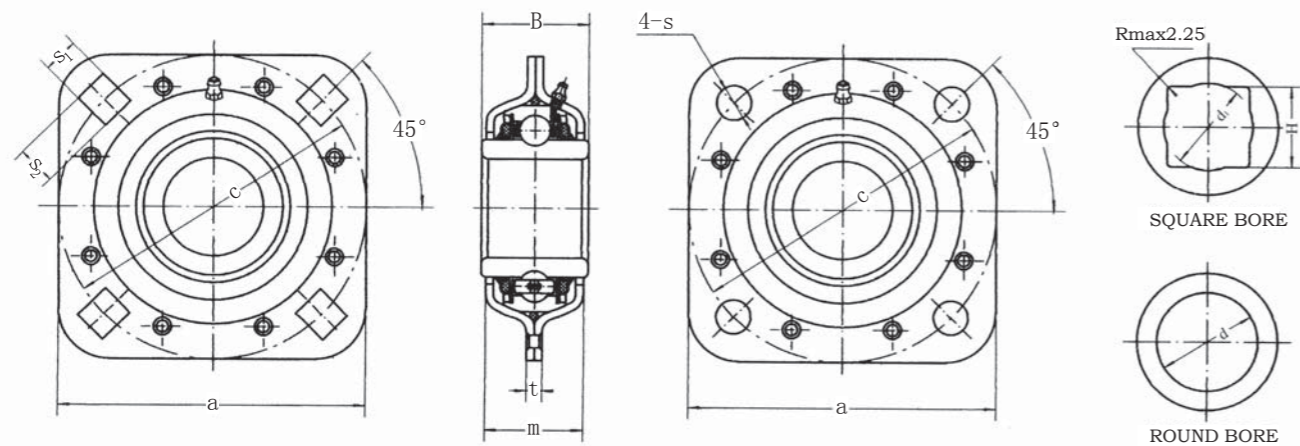
Bearing No	Type	Dimensions mm in.					Dynamic load ratings N	Static load ratings N	Weight (kg)
		H	d1	D	C	B			
204KPP2	3	0.6950 17.653	0.7970 20.240	1.8504 47	0.5510 14.000	0.8250 20.96	12800	6650	0.34
204KRR2	1	0.6950 17.653	0.7970 20.240	1.8504 47	0.5510 14.000	0.8250 20.96	12800	6650	0.32
204KRRB2	2	0.6950 17.653	0.7970 20.240	1.8504 47	0.5510 14.000	0.8250 20.96	12800	6650	0.32
204KPPB2	4	0.6950 17.653	0.7970 20.240	1.8504 47	0.5510 14.000	0.8250 20.96	12800	6650	0.32
205KPP2	3	0.8760 22.250	1.0120 25.700	2.047 52	0.5910 15.000	1.0000 25.400	14000	7850	0.47
205KRR2	1	0.8760 22.250	1.0120 25.700	2.047 52	0.5910 15.000	1.0000 25.400	14000	7850	0.44
205KPPB2	4	0.8760 22.250	1.0120 25.700	2.047 52	0.5910 15.000	1.0000 25.400	14000	7850	0.47
205KRRB2	2	0.8760 22.250	1.0120 25.700	2.047 52	0.5910 15.000	1.0000 25.400	14000	7850	0.44
206KRR6	1	1.0010 25.425	1.1520 29.260	2.4409 62.000	0.6300 16.000	0.9450 24.000	19500	11300	0.75
206KRRB6	2	1.0010 25.425	1.1520 29.260	2.4409 62.000	0.6300 16.000	0.9450 24.000	19500	11300	0.75
G207KPPB2	4	1.1260 28.600	1.2980 32.970	2.8346 72.000	0.7480 19.000	1.4840 37.7	25700	15300	1.10
207KRRB9	2	1.1260 28.600	1.2980 32.970	2.8346 72.000	0.6690 17.000	1.4840 37.7	25700	15300	1.00
207KRRB12	2	1.1260 28.600	1.2980 32.970	2.8346 72.000	0.6690 17.000	0.9840 25.000	25700	15300	0.87
207KPPB3	4	1.2512 31.775	1.4429 36.65	2.8346 72.000	0.6690 17.000	1.4840 37.7	25700	15300	0.87
207KPP3	3	1.2512 31.775	1.4429 36.65	2.8346 72.000	0.6690 17.000	0.9840 25.000	25700	15300	0.87
GW208PPB22	4	1.2550 31.877	1.4500 36.830	3.1496 80.000	0.8270 21.000	1.4370 36.5	29500	18100	1.50
W208KRRB6	2	1.3760 34.950	1.5870 40.300	3.1496 80.000	0.8270 21.000	1.4370 36.5	29500	18100	1.31
W208PPB16	4	1.2512 31.775	1.4429 36.65	3.1496 80.000	0.7090 18.000	1.4370 36.5	29500	18100	1.45
W208PP21	3	1.2550 31.775	1.4429 36.65	3.1496 80.000	0.7090 18.000	1.4370 36.5	29500	18100	1.45
G209KPPB2	4	1.5010 38.125	1.7300 43.940	3.3465 85.000	0.7480 19.000	1.1810 30.000	31600	20600	1.26
209KRRB2	2	1.5010 38.125	1.7300 43.940	3.3465 85.000	0.7480 19.000	1.1710 30.000	31600	20600	1.27
210PPB20	4	1.2550 31.877	1.4500 36.830	3.5433 90.000	0.8661 22.000	1.4370 36.5	35000	23200	2.00
210PP20	3	1.2550 31.877	1.4500 36.830	3.5433 90.000	0.8661 22.000	1.4370 36.5	35000	23200	2.05
G210KPPB2	4	1.5010 38.125	1.7300 43.940	3.5433 90.000	0.8661 22.000	1.1811 30.000	35000	23200	1.89
GC211-32-NLC	3	1.7510 44.475	2.0200 51.310	3.9370 100.000	0.9840 25.000	2.2500 57.150	43500	29200	3.35

Relubricatable Series



Bearing No	Type	Dimensions mm in.						Dynamic load ratings N	Static load ratings N	Weight (kg)
		H	d1	D	C	B	h			
GW208PPB 5	2	1.1800 29.972	1.2599 32.000	3.1490 80.000	0.9450 24.00	1.4370 36.50	0.2520 6.40	29500	18100	0.635
GW208PPB 6	2	1.0300 26.162	1.0945 27.800	3.1490 80.000	0.9450 24.00	1.4370 36.50	0.2520 6.40	29500	18100	0.762
GW208PPB 8	2	1.1800 29.972	1.2598 32.000	3.1490 80.000	1.1890 30.20	1.4370 36.50	0.2520 6.40	29500	18100	0.658
GW209PPB 5	2	1.2900 32.766	1.3504 34.300	3.3465 85.000	1.1890 30.20	1.4370 36.50	0.2598 6.60	31600	20600	0.795
GW209PPB 8	2	1.2900 32.766	1.3504 34.300	3.3465 85.000	0.8661 22.00	1.4370 36.50	0.2598 6.60	31600	20600	0.749
GW209PPB 17	2	1.1800 29.972	1.260 32.000	3.3155 85.738	1.1890 30.20	1.4370 36.50	0.2598 6.60	31600	20600	1.922
GW210PPB 4	1	1.1800 29.972	1.2598 32.000	3.5433 90.000	1.1890 30.20	1.1890 30.20	0.2598 6.60	35000	23200	0.840
GW211PPB 3	4	1.5311 38.890	1.6535 42.000	3.9370 100.00	1.3126 33.30	1.3126 33.30	0.2992 7.60	43500	29200	1.106
GW211PPB 3	1	1.5311 38.890	1.6535 42.000	3.9370 100.00	1.3126 33.30	1.3126 33.30	0.2992 7.60	43500	29200	1.036
GW211PP 5	3	1.5311 38.890	1.6535 42.000	4.0000 101.60	1.4370 36.50	1.7500 44.45	0.2992 7.60	43500	29200	1.302
GW211PP 17	3	1.5311 38.890	1.6535 42.000	3.9370 100.00	1.3126 33.30	1.7500 44.45	0.2992 7.60	43500	29200	1.252
GW214PPB 4	1	2.0550 52.200	2.1610 54.900	4.9213 125.00	1.5630 39.70	1.5630 39.70	0.3543 9.00	60800	45000	2.157

Hex bore bearing also available



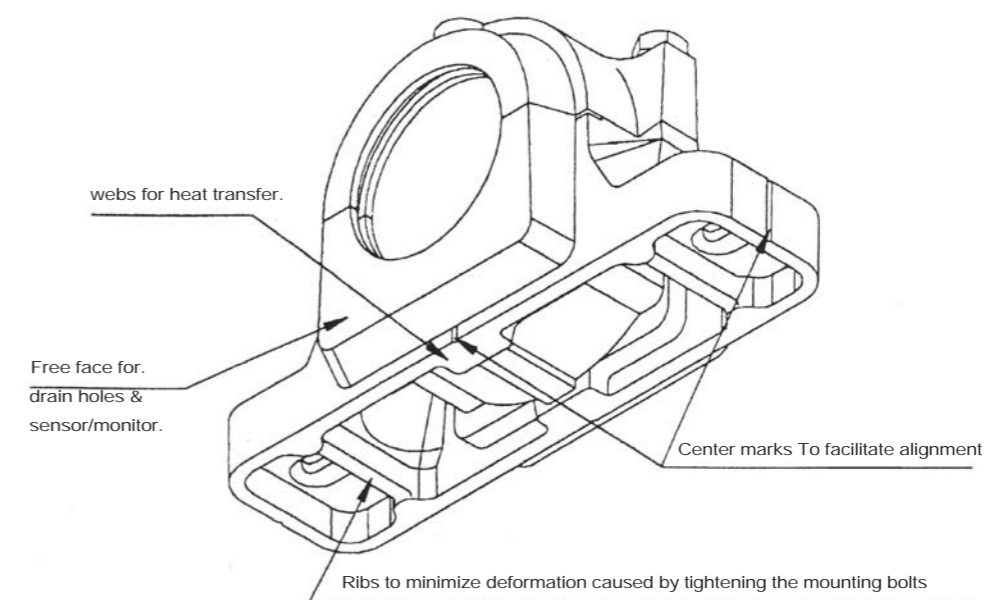
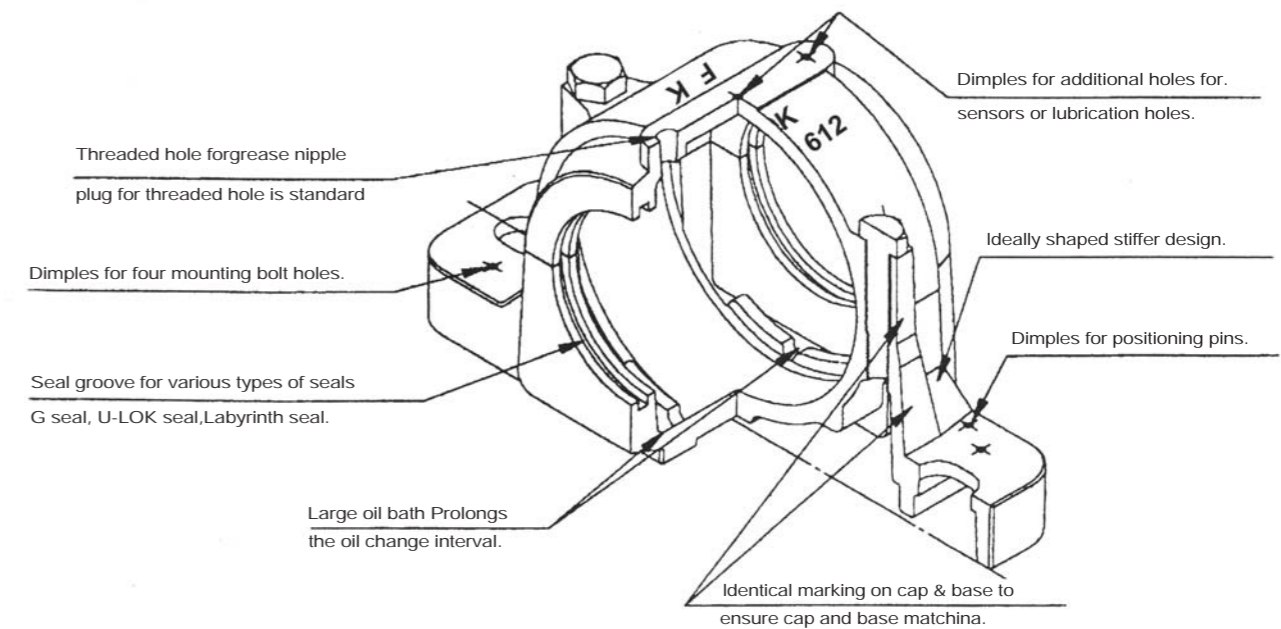
Unit No.	Dimensions ^{mm} / _{inch}											Dynamic load ratings N	Static load ratings N
	H	d	a	B	m	t	C	s	s ₁	s ₂	d ₁		
ST209-1-1/8	29.972	----	127	42.8	42	6	127	13.5	13.5	17.45	32.0	31600	20600
ST209-30S	31.353	----	127	42.8	42	6	127	13.5	13.5	17.45	34.5	31600	20600
ST209-1-1/4	32.766	----	127	42.8	42	6	127	13.5	13.5	17.45	34.5	31600	20600
ST491B	----	38.860	127	42.8	42	6	127	13.5	13.5	17.45	----	31600	20600
ST209-40R	----	40.878	127	42.8	42	6	127	13.5	13.5	17.45	----	31600	20600
ST491A	----	45.000	127	42.8	42	6	127	13.5	13.5	17.45	----	31600	20600
ST209-45R	----	45.340	127	42.8	42	6	127	13.5	13.5	17.45	----	31600	20600
ST491AD	----	45.000	121	46	42	6	121	13.5	----	----	----	31600	20600
ST211-1-1/2	38.890	----	139.7	50.8	46	8	139.7	13.5	13.5	17.45	42.0	43500	29200
ST211-40S	40.878	----	139.7	50.8	46	8	139.7	13.5	13.5	17.45	43.1	43500	29200
ST211-50R	----	50.400	139.7	50.8	46	8	139.7	13.5	13.5	17.45	----	43500	29200
ST211-55R	----	55.575	139.7	50.8	46	8	139.7	13.5	13.5	17.45	----	43500	29200
ST211-1-3/4	----	45.212	139.7	55.6	46	8	139.7	13.5	13.5	17.45	----	43500	29200
ST211-2-3/16	----	55.575	139.7	55.6	46	8	139.7	13.5	13.5	17.45	----	43500	29200
ST211-1-15/16	----	49.238	139.7	69.9	46	8	139.7	13.5	13.5	17.45	----	43500	29200
ST211	----	55.000	139.7	55.6	46	8	139.7	13.5	13.5	17.45	----	43500	29200
ST740	----	55.562	139.7	55.6	45	7	139.7	13.5	13.5	17.45	----	43500	29200

D: special requirement

FK PLUMMER BLOCK HOUSINGS

1. STRUCTURE OF FK PLUMMER SNK BLOCK HOUSINGS

Interchangeable with SNU/SNH/SNN



FK Plummer Block Housing in the catalog are cast and produced in accordance with the ISO/R113-1994 standard. (B.S. 1642: 1969 standard, JIS B 1551 - 1968 standard)

The following tables show the standardization of materials and relative machining tolerance covering the housings and its accessories.

2. MATERIALS OF PLUMMER BLOCK HOUSINGS

2.1 MATERIALS OF HOUSINGS

MATERIAL	ISO CODE	U.S.CODE	TENSILE STRENGTH kgf/mm ²	YIELD STRENGTH kgf/mm ²	ELONGATION
CAST IRON	GRADE 200 (FC 200)	ASTM A48 GRADE 30	20	-	-
DUCTILE IRON (S.G.)	GRADE 450-10 (FCD 450)	ASTM A536 GRADE 65-45-12	45	30	10%
CAST STEEL	GRADE 230-450 (SC 460)	ASTM A27 GRADE 65-35	46	23	19%

2.2 MATERIALS OF ACCESSORIES

NAME	PART NO.	MATERIALS
FELT STRIP	FS	60%-80%WOOL,20%RAYON,DENSITY0.25g/cm ²
LOCATING RING	SR	MILD STEEL STRIP AISI 1010/AL UMNUM
HEXAGON BOLT	M	MILD STEEL AISI 1010
ZF SEAL	ZF	NBR
SC SEAL	OSM	NBR
U-LOK SEAL	U-500/U-600	NBR
TSNG SEAL	TSNG500	THERMOPLASTIC POLYURETHANE
LABYRINTH SEAL	TS/LER	CAST IRONALUMINUM/STEEL
TACONITE CARRIER	TAC/TER/TACK	CAST IRON
END COVER	500NA/600NA	NBR&MILD STEEL PLATE
END PLATE	P	MILD STEEL PLATE
END COVER	TSA	CAST IRON
END PLUG	EPR	NBR&MILD STEEL
V-RING SEAL	TSNIA-A	NBR&MILD STEEL
EYE-BOLT	W/M	MILD STEEL AISI 1010

Declaration : Weights listed in this catalog are subject to change without notice.

3. ACCURACY OF PLUMMER BLOCK HOUSINGS

3.1 MACHINE TOLERANCE OF HOUSINGS BORE

(0.001mm)

BORE mm	G7	H7	H8	J7
10-18	+24 +6	+18 -0	+27 -0	+10 -8
18-30	+28 +7	+21 -0	+33 -0	+12 -9
30-50	+34 +9	+25 -0	+39 -0	+14 -11
50-80	+40 +10	+30 -0	+46 -0	+18 -12
80-120	+42 +12	+35 -0	+54 -0	+22 -13
120-180	+54 +14	+40 -0	+63 -0	+26 -14
180-250	+61 +15	+46 -0	+72 -0	+30 -16
250-315	+69 +17	+52 -0	+81 -0	+36 -16
315-400	+75 +18	+57 -0	+89 -0	+39 -18
400-500	+83 +20	+63 -0	+97 -0	+43 -20
500-620	+92 +23	+69 -0	+104 -0	+46 -23

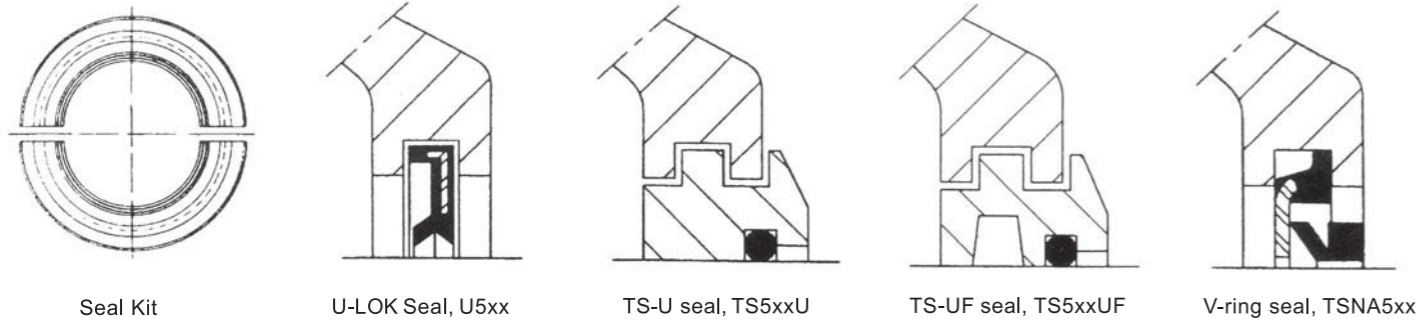
3.2 EXCEPT HOUSINGS BORE

DIMENSION mm	H10	H11	H12	H13	h13
10-18	+70 -0	+110 -0	+180 -0	+270 -0	+0 -270
18-30	+84 -0	+130 -0	+210 -0	+330 -0	+0 -330
30-50	+100 -0	+160 -0	+250 -0	+390 -0	+0 -390
50-80	+120 -0	+190 -0	+300 -0	+460 -0	+0 -460
80-120	+140 -0	+220 -0	+350 -0	+540 -0	+0 -540
120-180	+160 -0	+250 -0	+400 -0	+630 -0	+0 -630
180-250	+185 -0	+290 -0	+460 -0	+720 -0	+0 -720
250-315	+210 -0	+320 -0	+520 -0	+810 -0	+0 -810
315-400	+230 -0	+360 -0	+570 -0	+890 -0	+0 -890

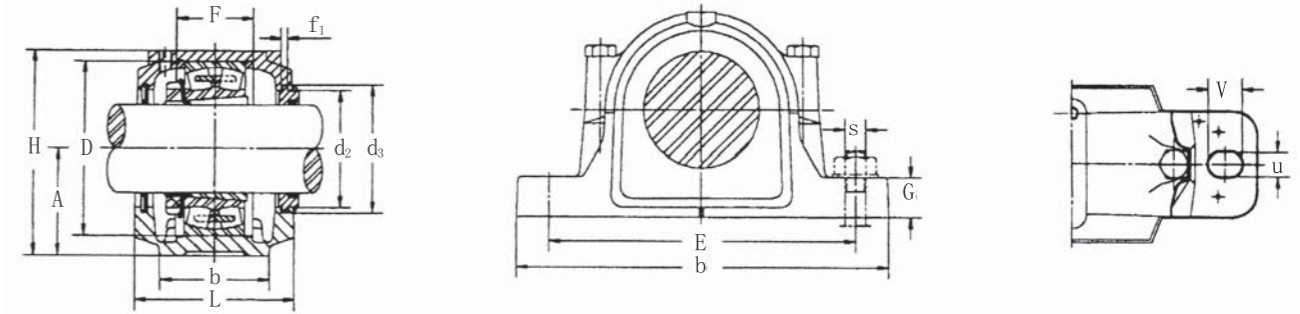
3.3 SELECTION OF BEARING HOUSING TOLERANCES.

Conditions	Examples	Toletance symbol according to ISA
Indeterminate load direction	Normal and light loads, Axial displacement of the outer ring desirable	J7
Fixed outer ring load	Shock loads, Temporary complete unloading	
	All loads	H7
	Normal and light loads, Loads under simple opetating conditions	H8
	Heat supplied through the shaft	G7

4. SEALING DEVICES



SHAFT DIA	HOUSING	U-LOK KIT	CLOSED COVER	LABYRINTH SEAL	OPEN V'RING KIT
20	SNK505	U505	505A	-	TA505A
	SNK506-605	U605	506A	-	TA605A
25	SNK506-605	U506	506A	TS506-U	TA506A
	SNK507-606	U606	507A	TS606-U	TA606A
30	SNK507-606	U507	507A	TS507-U	TA507A
	SNK508-607	U607	508A	TS607-U	TA607A
35	SNK508-607	U508	508A	TS508-U	TA508A
	SNK510-608	U608	510A	TS608-U	TA608A
40	SNK509	U509	509A	TS509-U	TA509A
	SNK511-609	U609	511A	TS609-U	TA609A
45	SNK510-608	U510	510A	TS510-U	TA510A
	SNK512-610	U610	512A	TS610-U	TA610A
50	SNK511-609	U511	511A	TS511-U	TA511A
	SNK513-611	U611	513A	TS611-U	TA611A
55	SNK512-610	U512	512A	TS512-U	TA512A
	SNK515-612	U612	515A	TS612-U	TA612A
60	SNK513-611	U513	513A	TS513-U	TA513A
	SNK516-613	U613	516A	TS613-U	TA613A
65	SNK515-612	U515	515A	TS515-U	TA515A
	SNK518-615	U615	518A	TS615-U	TA615A
70	SNK516-613	U516	516A	TS516-U	TA516A
	SNK519-616	U616	519A	TS616-U	TA616A
75	SNK517	U517	517A	TS517-U	TA617A
	SNK520-617	U617	520A	TS617-U	TA517A
80	SNK518-615	U518	518A	TS518-U	TA518A
85	SNK519-616	U519	519A	TS519-U	TA519A
	SNK522-619	U619	522A	TS619-U	TA619A
90	SNK520-617	U520	520A	TS520-U	TA620A
	SNK524-620	U620	524A	TS620-U	TA520A
100	SNK522-619	U522	522A	TS522-U	TA522A
110	SNK524-620	U524	524A	TS524-U	TA524A
115	SNK526	U526	526A	TS526-U	TA526A
125	SNK528	U528	528A	TS528-U	TA528A
135	SNK530	U530	530A	TS530-U	TA530A
140	SNK532	U532	532A	TS532-U	TA532A
		4 Halves per kit	Qty 1	Qty 1	2 sets per kit



HOUSING NO.	L	b	f1	F	D	d2	d3	H	A	G	E	B	v	u	S	WEIGHT (kg)
SNK505	67	46	5	25	52	31.5	39.5	73	40	19	130	165	20	13	10	1.50
SNK506-605	77	52	5	32	62	36.5	44.5	88	50	22	150	185	22	13	10	2.00
SNK507-606	82	52	5	34	72	46.5	54.5	93	50	22	150	185	20	13	10	2.32
SNK508-607	85	60	5	39	80	51.5	59.5	108	60	25	170	205	20	15	12	2.90
SNK509	85	60	5	30	85	56.5	64.5	111	60	25	170	205	20	15	12	3.10
SNK510-608	90	60	5	41	90	62	70.5	114	60	25	170	205	20	15	12	3.31
SNK511-609	95	70	5	44	100	67	75.5	129	70	28	210	255	23	18	16	4.54
SNK512-610	105	70	5	48	110	72	80.5	134	70	30	210	255	23	18	16	5.47
SNK513-611	110	80	5	51	120	77	85.5	149	80	30	230	275	24	18	16	6.60
SNK515-612	115	80	5	56	130	87	95.5	155	80	30	230	280	26	18	16	7.30
SNK516-613	120	90	5	58	140	92.5	101	175	95	32	260	315	29	22	20	9.95
SNK517	125	90	5	61	150	97.5	106	181	95	32	260	320	30	22	20	10.82
SNK518-615	140	100	5	65	160	102.5	111	192	100	35	290	345	27	22	20	13.30
SNK519-616	145	100	6	68	170	131	141	208.5	112	35	290	345	27	22	20	15.00
SNK520-617	160	110	6	70	180	137.5	147.5	214.5	112	40	320	380	32	26	24	18.80
SNK522-619	175	120	6	80	200	147.5	157.5	238.5	125	45	350	410	32	26	24	23.5
SNK524-620	185	120	6	86	215	157.5	167.5	271	140	45	350	410	32	26	24	28.00
SNK526	190	130	6	90	230	167.5	177.5	290	150	50	380	445	35	28	24	34.00
SNK528	205	150	6	98	250	177.5	187.5	302	150	50	420	500	42	35	30	41.50
SNK530	220	160	6	106	270	192.5	202.5	323	160	60	450	530	42	35	30	50.50
SNK532	235	160	6	114	290	202.5	212.5	344	170	60	470	550	42	35	30	56.70

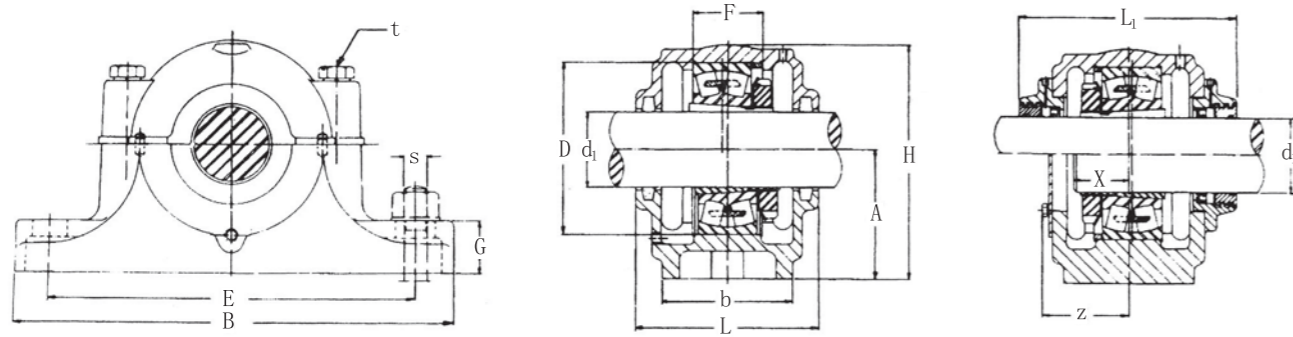
- SNK/SNU housings can be equipped with TSNA-G, U-LOK, TS-U & TS-UF seals.
- SNU/SSNU/SNA housings are available.
- Weight is only for reference.

Shaft Dia. mm	Housing No.	Bearing No.		Adapter Sleeve	Sealing Arrangement*		End Cover	Locating Ring	
		Self-Alig. Ball	Spherical Roller		Standard	Alternative		Number	O'ty
					U-Lok	TSNA - G			
20	SNK505	1205K		H205	U505		505A	52X5	2
	SNK505	2205K		H305	U505		505A	52X7	1
	SNK506-605	1305K		H305	U605		506A	62X7.5	2
	SNK506-605	2305K		H2305	U605		506A	62X8	1
25	SNK506-605	1206K		H206	U506		506A	62X8	2
	SNK506-605	2206K		H306	U506		506A	62X6	2
	SNK507-606	1306K		H306	U606		507A	72X7.5	2
30	SNK507-606	2306K		H2306	U606		507A	72X7	1
	SNK507-606	1207K	-	H207	U507	TSNG507	507A	72X8.5	2
	SNK507-606	2207K	22207K	H307	U507	TSNG507	507A	72X5.5	2
	SNK508-607	1307K	-	H307	U607	TSNG507	508A	80X9	2
35	SNK508-607	2307K	-	H2307	U607	TSNG507	508A	80X8	1
	SNK508-607	1208K	-	H208	U508	TSNG508	508A	80X10.5	2
	SNK508-607	2208K	22208K	H308	U508	TSNG508	508A	80X8	2
	SNK510-608	1308K	21308K	H308	U608	TSNG608	510A	90X9	2
40	SNK510-608	2308K	22308K	H2308	U608	TSNG608	510A	90X8	1
	SNK509	1209K	-	H209	U509	TSNG509	509A	85X5.5	2
	SNK509	2209K	22209K	H309	U509	TSNG509	509A	85X7	1
45	SNK511-609	1309K	21309K	H309	U609	TSNG609	511A	100X9.5	2
	SNK511-609	2309K	22309K	H2309	U609	TSNG609	511A	100X8	1
	SNK510-608	1210K	-	H210	U510	TSNG510	510A	90X10.5	2
50	SNK510-608	2210K	22210K	H310	U510	TSNG510	510A	90X9	2
	SNK512-610	1310K	21310K	H310	U610	TSNG610	512A	110X10.5	2
	SNK512-610	2310K	22310K	H2310	U610	TSNG610	512A	110X8	1
	SNK511-609	1211K	-	H211	U511	TSNG511	511A	100X11.5	2
55	SNK511-609	2211K	22211K	H311	U511	TSNG511	511A	100X9.5	2
	SNK513-611	1311K	21311K	H311	U611	TSNG611	513A	120X11	2
	SNK513-611	2311K	22311K	H2311	U611	TSNG611	513A	120X8	1
	SNK512-610	1212K	-	H212	U512	TSNG512	512A	110X13	2
60	SNK512-610	2212K	22212K	H312	U512	TSNG512	512A	110X10	2
	SNK515-612	1312K	21312K	H312	U612	TSNG612	515A	130X12.5	2
	SNK515-612	2312K	22312K	H2312	U612	TSNG612	515A	130X10	1
	SNK513-611	1213K	-	H213	U513	TSNG513	513A	120X14	2
65	SNK513-611	2213K	22213K	H313	U513	TSNG513	513A	120X10	2
	SNK516-613	1313K	21313K	H313	U613	TSNG613	516A	140X12.5	2
	SNK516-613	2313K	22313K	H2313	U613	TSNG613	516A	140X10	1
70	SNK515-612	1215K	-	H215	U515	TSNG515	515A	130X15.5	2
	SNK515-612	2215K	22215K	H315	U515	TSNG515	515A	130X12.5	2
	SNK518-615	1315K	21315K	H315	U615	TSNG615	518A	160X14	2
	SNK518-615	2315K	22315K	H2315	U615	TSNG615	518A	160X10	1

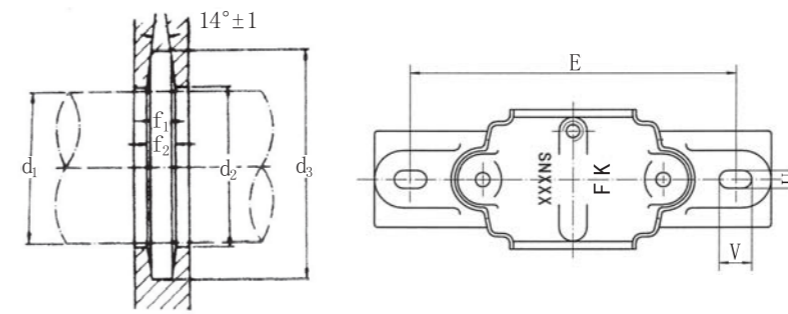
Shaft Dia. mm	Housing No.	Bearing No.		Adapter Sleeve	Sealing Arrangement*		End Cover	Locating Ring	
		Self-Alig. Ball	Spherical Roller		Standard	Alternative		Number	O'ty
					U-Lok	TSNA-G			
70	SNK516-613	1216K	-	H216	U516	TSNG516	516A	140X16	2
	SNK516-613	2216K	22216K	H316	U516	TSNG516	516A	140X12.5	2
	SNK519-616	1316K	21316K	H316	U616	TSNG516	519A	170X14.5	2
	SNK519-616	2316K	22316K	H2316	U616	TSNG516	519A	170X10	1
75	SNK517	1217K	-	H217	U517	TSNG517	517A	150X16.5	2
	SNK517	2217K	22217K	H317	U517	TSNG517	517A	150X12.5	2
	SNK520-617	1317K	21317K	H317	U617	TSNG517	520A	180X14.5	2
80	SNK520-617	2317K	22317K	H2317	U617	TSNG517	520A	180X10	1
	SNK518-615	1218K	-	H218	U518	TSNG518	518A	160X17.5	2
	SNK518-615	2218K	22218K	H318	U518	TSNG518	518A	160X12.5	2
85	SNK518-615	-	23218K	H2318	U518	TSNG518	518A	160X12.5	1
	SNK519-616	1219K	-	H219	U518	TSNG519	519A	170X18	2
90	SNK519-616	2219K	22219K	H319	U519	TSNG519	519A	170X12.5	2
	SNK522-619	-	22319K	H2319	U619	TSNG619	522A	200X13	1
	SNK520-617	1220K	-	H220	U520	TSNG520	520A	180X18	2
95	SNK520-617	2220K	22220K	H320	U520	TSNG520	520A	180X12	2
	SNK520-617	-	23220K	H2320	U520	TSNG520	520A	180X9.7	1
	SNK524-620	-	22320K	H2320	U620	TSNG620	524A	215X13	1
100	SNK522-619	1222K	-	H222	U522	TSNG522	522A	200X21	2
	SNK522-619	2222K	22222K	H322	U522	TSNG522	522A	200X13.5	2
	SNK522-619	-	23222K	H2322	U522	TSNG522	522A	200X10.2	1
110	SNK524-620		22224K	H3124	U524	TSNG524	524A	215X14	2
	SNK524-620		23224K	H2324	U524	TSNG524	524A	215X10	1
115	SNK526		22226K	H3126	U526	TSNG526	526A	230X13	2
	SNK526		23226K	H2326	U526	TSNG526	526A	230X10	1
125	SNK528		22228K	H3128	U528	TSNG528	528A	250X15	2
	SNK528		23228K	H2328	U528	TSNG528	528A	250X10	1
135	SNK530		22230K	H3130	U530	TSNG530	530A	270X16.5	2
	SNK530		23230K	H2330	U530	TSNG530	530A	270X10	1
140	SNK532		22232K	H3132	U532	TSNG532	532A	290X17	2
	SNK532		23232K	H2332	U532	TSNG532	532A	290X10	1

NOTES:

* U-Lok seal, TENG seal and TS-U seal are interchangeable.



Housing No.	NOMINAL DIMENSION (mm)														
	SHAFT DIA.d1		D H8	B	b	G	F H13	A h13	L	H	E	L1	X	Z	d2H12 METRIC
	METRIC	INCH													
SN 505	20	3/4	52	165	46	22	25	40	67	73	130	-	22	-	21.5
SN 506	25	1	62	185	52	22	30	50	77	90	150	-	22	-	26.5
SN 507	30	1 1/8	72	185	52	22	33	50	82	95	150	-	24	-	31.5
SN 508	35	1 1/4	80	205	60	25	33	60	85	110	170	-	26	-	36.5
SN 509	40	1 1/2	85	205	60	25	31	60	85	112	170	-	28	-	41.5
SN 510	45	13/4	90	205	60	25	33	60	90	115	170	-	28	-	46.5
SN 511	50	2	100	255	70	28	33	70	95	130	210	160	30	54	51.5
SN 512	55	2 1/8	110	255	70	30	38	70	105	135	210	172	32	62	56.5
SN 513	60	2 1/4	120	275	80	30	43	80	110	150	230	172	36	62	62
SN 515	65	2 1/2	130	280	80	30	41	80	115	155	230	182	38	68	67
SN 516	70	2 3/4	140	315	90	32	43	95	120	175	260	184	40	68	72
SN 517	75	3	150	320	90	32	46	95	125	183	260	184	42	70	77
SN 518	80	3 1/4	160	345	100	35	62.4	100	145	193	290	204	50	81	82
SN 519	85	-	170	345	100	35	53	112	140	210	290	-	-	-	87
SN 520	90	3 1/2	180	380	110	40	70.3	112	160	218	320	224	54	90	92
SN 522	100	4	200	410	120	45	80	125	175	240	350	232	60	92	102
SN 524	110	4 1/4	215	410	120	45	86	140	185	268	350	248	64	95	113
SN 526	115	4 1/2	230	445	130	50	90	150	190	287	380	268	64	100	118
SN 528	125	5	250	500	150	50	98	150	205	302	420	286	70	108	128
SN 530	135	5 1/4	270	530	160	60	106	160	220	322	450	304	76	113	138
SN 532	140	5 1/2	290	550	160	60	114	170	235	345	470	320	80	122	143



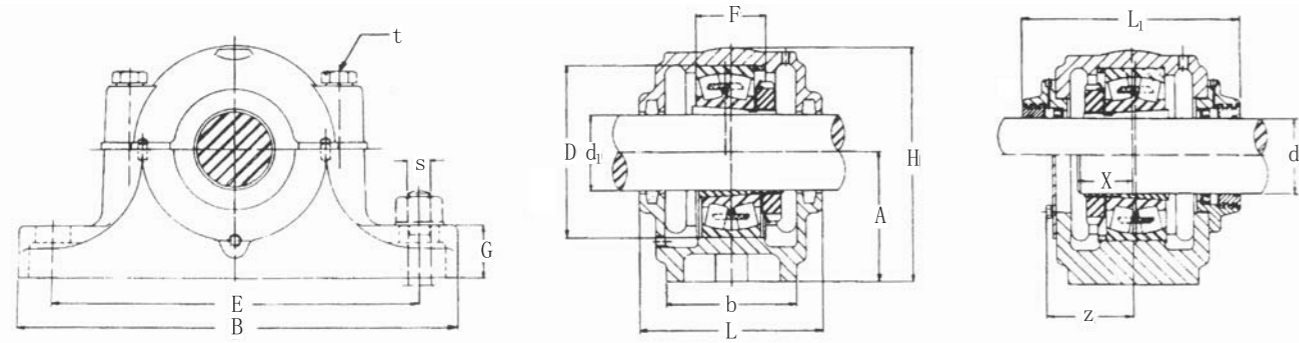
NOTES:

Foot of standard housing SSN type is solid without mounting holes or can be precast as 2-bolt (with prefix T) or 4-bolt mounting holes (with prefix F).

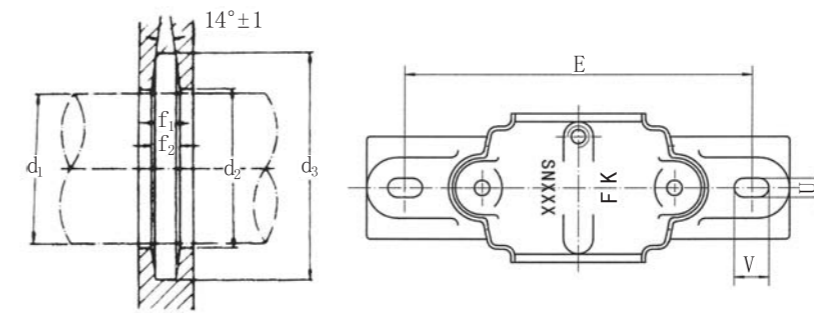
Taconite seal will be supplied as optional for perfect arrangement in severe operating conditions to prevent contamination from fine abrasive dust.

ZF rubber seals can be supplied upon request.

d3 H12	t	f1 H13	f2	u	v	s 2 bolt	WEIGHT(kg)		BEARING NO.		ADAPTER SLEEVE		LOCATING RING	
							SN5	SSN5	SELF-ALIG BALL	SPHERICAL ROLLER	METRIC	INCH	NUMBER	QTY
31	M8	3	4.2	15	20	M12	1.8	2.3	1205K 2205K	- 22205K	H205 H305	HE205 HE305	52x5 52x7	2 1
38	M8	4	5.4	15	20	M12	1,74	2.8	1206K 2206K	- 22206K	H206 H606	HE206 HE606	62x7 62x10	2 1
43	M10	4	5.4	15	20	M12	1.9	3.2	1207K 2207K	- 22207K	H207 H307	HE207 HE307	72x8 72x10	2 1
48	M10	4	5.4	15	20	M12	2.63	3.2	1208K 2208K	- 22208K	H208 H308	HE208 HE308	80x7.5 80x10	2 1
53	M10	4	5.4	15	20	M12	2.64	3.7	1209K 2209K	- 22209K	H209 H309	HE209 HE309	85x6 85x8	2 1
58	M10	4	5.4	15	20	M12	2.80	3.8	1210K 2210K	- 22210K	H210 H310	HE210 HE310	90x6.5 90x10	2 1
67	M12	5	6.9	18	23	M16	4.32	6.2	1211K 2211K	- 22211K	H211 H311	HE211 HE311	100x6 100x8	2 1
72	M12	5	6.9	18	23	M16	4.99	6.5	1212K 2212K	- 22212K	H212 H312	HE212 HE312	110x8 110x10	2 1
77	M12	5	6.8	18	23	M16	5.64	8.3	1213K 2213K	- 22213K	H213 H313	HE213 HE313	120x10 120x12	2 1
82	M12	5	6.8	18	23	M16	6.19	9.0	1215K 2215K	- 22215K	H215 H315	HE215 HE315	130x8 130x10	2 1
89	M16	6	8.1	22	27	M20	8.17	12.1	1216K 2216K	- 22216K	H216 H316	HE216 HE316	140x8.5 140x10	2 1
94	M16	6	8.1	22	27	M20	9.37	12.2	1217K 2217K	- 22217K	H217 H317	HE217 HE317	150x9 150x10	2 1
99	M16	6	8.1	22	27	M20	11.5	15.2	1218K 2218K -	- 22218K 23218K	H218 H318 H2318	HE218 HE318 HE2318	160x16.2 160x11.2 160x10	2 1 1
104	M16	6	8.1	22	28	M20	13.5	17.7	1219K -	- 22219K	H219 H319		170x10.5 170x10	2 1
111	M20	7	9.3	26	32	M24	16.3	20.5	2220K -	22220K 23220K	H320 H2320	HE320 HE2320	180x12.1 180x10	2 1
125	M20	8	10.8	26	32	M24	25.1	29.2	2220K -	22222K 23222K	H322 H2322	HE322 HE2322	200x13.5 200x10	2 1
135	M20	8	10.7	26	34	M24	27.2	33	- -	22224K 23224K	H3124 H2324	HE3124 HE2324	215x14 215x10	2 1
140	M24	8	10.7	28	35	M24	35.2	40.9	- -	22226K 23226K	H3126 H2326	HE3126 HE2326	230x13 230x10	2 1
154	M24	9	12.2	33	42	M30	43.7	48.6	- -	22228K 23228K	H3128 H2328	HE3128 HE2328	250x15 250x10	2 1
164	M24	9	12.2	33	42	M30	45.3	56.2	- -	22230K 23230K	H3130 H2330	HE3130 HE2330	270x16.5 270x10	2 1
173	M24	10	13.7	33	42	M30	50.75	68.5	- -	22232K 23232K	H3132 H2332	HE3122 HE2322	290x17 290x10	2 1



Housing No.	Bearing No.														
	SHAFT DIA.d1		D H8	B	b	G	F H13	A h13	L	H	E	L1	X	d2H12 METRIC	d3 H12
	METRIC	INCH													
SN 605	20	3/4	62	185	52	22	34	50	80	90	150	-	27	21.5	31
SN 606	25	1	72	185	52	22	37	50	82	95	150	-	27	26.5	38
SN 607	30	1 1/8	80	205	60	25	41	60	90	110	170	-	32	31.5	43
SN 608	35	1 1/4	90	205	60	25	43	60	95	115	170	-	34	36.5	48
SN 609	40	1 1/2	100	255	70	28	46	70	105	130	210	-	36	41.5	53
SN 610	45	1 3/4	110	255	70	30	50	70	115	135	210	-	39	46.5	58
SN 611	50	2	120	275	80	30	53	80	120	150	230	185	40	51.5	67
SN 612	55	2 1/8	130	280	80	30	56	80	125	155	230	185	44	56.5	72
SN 613	60	2 1/4	130	315	90	32	58	95	130	175	260	200	46	62	77
SN 615	65	2 1/2	160	345	100	35	65	100	140	195	290	210	51	67	82
SN 616	70	2 3/4	170	345	100	35	68	112	145	212	290	210	52	72	89
SN 617	75	3	180	380	110	40	70	112	155	218	320	220	56	77	94
SN 618	80	3 1/4	190	400	110	33	74	112	160	230	320	225	58	82	99
SN 619	85	-	200	420	120	36	77	125	170	245	350	235	60	87	104
SN 620	90	3 1/2	215	420	120	38	83	140	175	280	350	240	64	92	111
SN 622	100	4	240	460	130	40	90	150	190	300	390	258	69	102	125
SN 624	110	4 1/4	260	540	160	50	96	160	205	325	450	280	73	113	135
SN 626	115	4 1/2	280	560	160	50	103	170	215	350	470	300	77	118	140
SN 628	125	5	300	630	170	55	112	180	235	375	520	320	83	128	154
SN 630	135	5 1/4	320	680	180	55	118	190	245	395	560	340	88	138	164
SN 632	140	5 1/2	340	710	190	60	124	200	255	415	580	350	93	143	173



NOTES:

Foot of standard housing SSN type is solid without mounting holes or can be precast as 2-bolt (with prefix T) or 4-bolt mounting holes (with prefix F).

Taconite seal will be supplied as optional for perfect arrangement in severe operating conditions to prevent contamination from fine abrasive dust.

ZF rubber seals can be supplied upon request.

t	f ₁ H13	f ₂	u	v	s	WEIGHT(kg)		BEARING NO.		ADAPTER SLEEVE		LOCATING RING		
						2 bolt	SN5	SSN5	SELF-ALIG BALL	SPHERICAL ROLLER	METRIC	INCH	NUMBER	QTY
M8	3	4.2	16	20	M12	2.11	-	1305K 2305K	-	H305 H2305	HE205 HE2305	62x8.5 62x10	2 1	
M10	4	5.4	16	20	M12	2.09	-	1306K 2306K	-	H306 H2306	HE306 HE2306	72x9 72x10	2 1	
M10	4	5.4	16	20	M12	3.4	4.1	1307K 2307K	-	H307 H2307	HE307 HE2307	80x10 80x10	2 1	
M10	4	5.4	15	24	M12	3.6	4.7	1308K 2308K	21308K 22308K	H308 H2308	HE308 HE2308	90x10 90x10	2 1	
M12	4	5.4	19	25	M12	5.3	6.8	1309K 2309K	21309K 22309K	H309 H2309	HE309 HE2309	100x10.5 100x10	2 1	
M12	4	5.4	18	23	M12	5.5	6.8	1310K 2310K	21310K 22310K	H310 H2310	HE310 HE2310	100x11.5 110x10	2 1	
M12	5	6.9	20	28	M16	6.9	9.0	1311K 2311K	21311K 22311K	H311 H2311	HE311 HE2311	120x12 120x10	2 1	
M12	5	6.9	20	28	M16	8.8	10.5	1312K 2312K	21312K 22312K	H312 H2312	HE312 HE2312	130x12.5 130x10	2 1	
M16	5	6.8	22	30	M16	9.8	12.4	1313K 2313K	21313K 22313K	H313 H2313	HE313 HE2313	140x12.5 140x10	2 1	
M16	5	6.8	23	28	M16	13.0	16.4	1315K 2315K	21315K 22315K	H315 H2315	HE315 HE2315	160x14 160x10	2 1	
M16	6	8.1	23	30	M20	15.5	19.7	1316K 2316K	21316K 22316K	H316 H2316	HE316 HE2316	170x14.5 170x10	2 1	
M20	6	8.1	26	35	M20	16.3	20.7	1317K 2317K	21317K 22317K	H317 H2317	HE317 HE2317	180x14.5 180x10	2 1	
M20	6	8.1	27	38	M20	20.0	24	1318K 2318K	- 22318K	H318 H2318	HE318 HE2318	190x15.5 190x10	2 1	
M20	6	8.1	28	36	M20	28.0	29.7	1319K 2319K	- 22319K	H319 H2319	HE319 HE2319	200x16 200x10	2 1	
M20	7	9.3	27	33	M24	30.5	37.1	1320K 2320K	- 22320K	H320 H2320	HE320 HE2320	215x18 215x10	2 1	
M20	8	10.8	28	32	M24	42	49.2	1322K 2322K	- 22322K	H322 H2322	HE322 HE2322	240x20 240x10	2 1	
M24	8	10.7	34	42	M24	59	72	-	22324K	H2324	HE2324	260x10	1	
M24	8	10.7	34	42	M24	61.5	80.9	-	22326K	H2326	HE2326	280x10	1	
M30	9	12.2	34	46	M30	88	105	-	22328K	H2328	HE2328	300x10	1	
M30	9	12.2	38	44	M30	89	115	-	22330K	H2330	HE2330	320x10	1	
M30	10	13.7	40	52	M30	127	145	-	22332K	H2332	HE2332	340x10	1	